

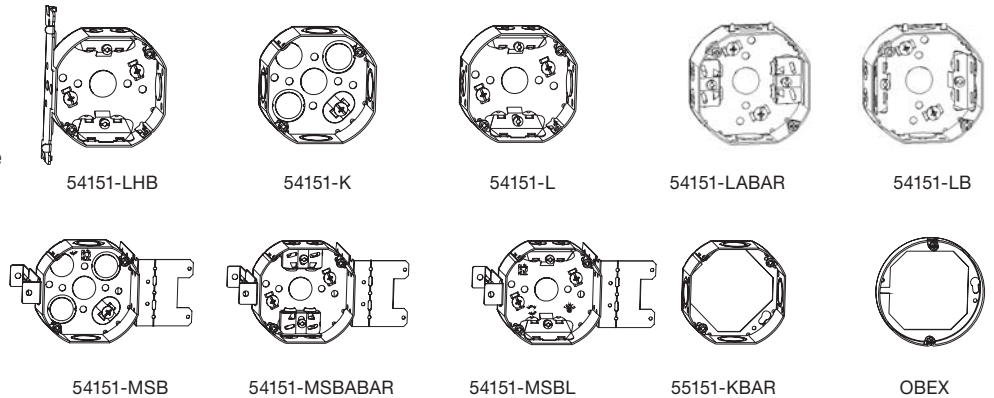


# OCTAGON BOXES

## 1-1/2" AND 2-1/8" DEEP

### APPLICATION

- Octagon boxes are used in the installation of ceiling or wall lighting fixtures.
- Extension rings provide a means for adding additional cubic capacity or as an outlet box for surface conduit.



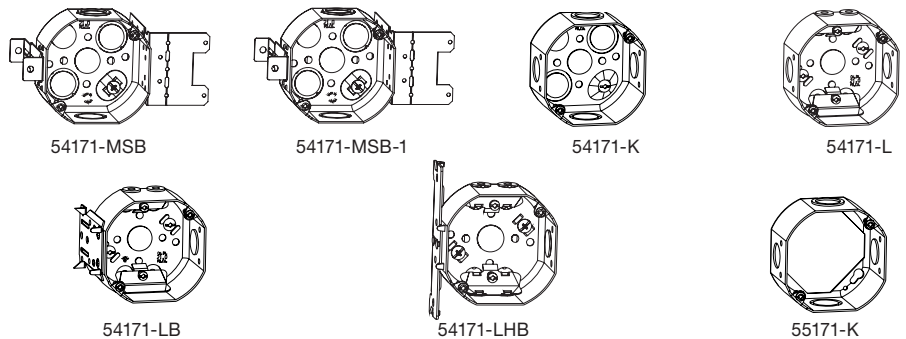
### PRODUCT FEATURES

- Combination screw heads provide for faster installation.
- Self-tapping screws which virtually eliminate stripping.
- Rugged metallic construction.

### COMPLIANCE

- All Hubbell boxes are CSA certified, unless otherwise stated, and meet the requirements of the Canadian Electrical Code. File numbers are available upon request.

| 4" OCTAGON BOX - 1-1/2" DEEP<br>15.0 CUBIC INCHES, 245 ML |                       |                     |               |              |
|---|-----------------------|---------------------|---------------|--------------|
| Catalogue Number  | Bracket               | Raised Ground Screw | Knockouts     | Cable Clamps |
| 54151-LHB   | SB                    | no                  | 1/2"(2)       | L            |
| 54151-K   | -                     | yes                 | K(6), 1/2"(2) | -            |
| 54151-L   | -                     | no                  | 1/2"(3)       | L            |
| 54151-LABAR   | -                     | no                  | 1/2"(3)       | A            |
| 54151-LB  | B                     | no                  | 1/2"(2)       | L            |
| 54151-MSB   | MSB                   | yes                 | K(4), 1/2"(2) | -            |
| 54151-MSBABAR   | MSB                   | no                  | 1/2"(1)       | A            |
| 54151-MSBL  | MSB                   | no                  | 1/2"(1)       | L            |
| 55151-KBAR  | Extension Ring (15.0) | -                   | K(4)          | -            |
| OBEX  | Extension Ring (5.0)  | -                   | -             | -            |



| 4" OCTAGON BOX - 2-1/8" DEEP<br>21.0 CUBIC INCHES, 344 ML |                       |                     |               |              |
|---|-----------------------|---------------------|---------------|--------------|
| Catalogue Number  | Bracket               | Raised Ground Screw | Knockouts     | Cable Clamps |
| 54171-MSB   | MSB                   | yes                 | K(4), 1/2"(4) | -            |
| 54171-MSB-1   | MSB                   | yes                 | K(4), 1/2"(4) | -            |
| 54171-K   | -                     | yes                 | K(4), 1/2"(4) | -            |
| 54171-L   | -                     | no                  | 1/2"(3)       | L            |
| 54171-LB  | B                     | no                  | 1/2"(2)       | L            |
| 54171-LHB   | SB                    | no                  | 1/2" (2)      | L            |
| 55171-K   | Extension Ring (21.0) | -                   | K(2), 1/2"(2) | -            |