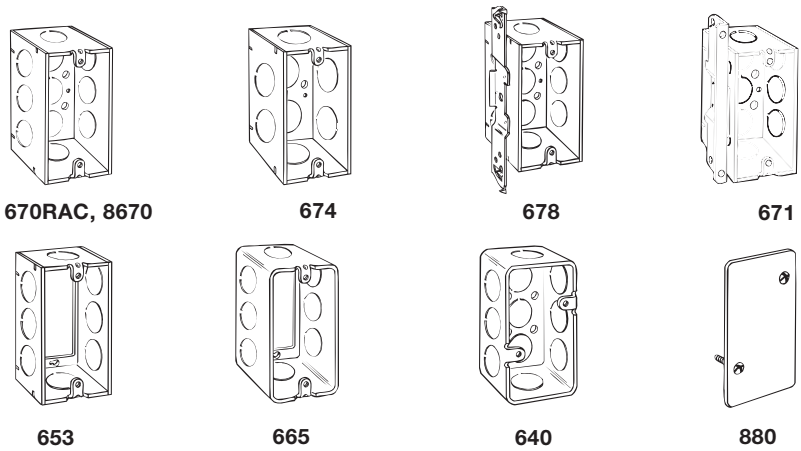


HANDY BOXES & EXTENSIONS
1-1/2", 1-7/8" AND 2-1/8" DEEP

Applications

- Handy Boxes, also called utility boxes, are used for convenience outlets, switch boxes or small junction boxes
- They are popular for exposed work applications (surface-mounted wiring)
- The NEC requires that surface-mounted wiring be enclosed with a protective covering such as EMT conduit
- Extension rings provide a means for adding additional cubic capacity or as an outlet box for surface conduit



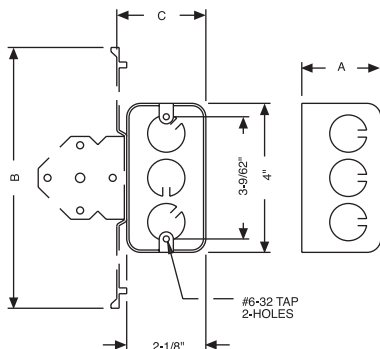
Product Features

- RACO® offers a variety of labor saving mounting brackets that allow for easy positioning of box along studs or joists
- See Box Selection section in the front of this catalog for complete description of bracket types and features

Compliances

- – File E195978
- All RACO® single gang, two gang, 4" square, and single gang gangable U.L. listed steel boxes are acceptable for use in 2-hour fire rated walls. For additional information, consult U.L. "Fire Resistance Directory" or the U.L. website at www.ul.com

STEEL HANDY BOXES



ORDERING INFORMATION - DIMENSIONS

4" x 2" HANDY BOXES – 2-1/8" DEEP – WELDED WITH CONDUIT KO'S – 16.5 CUBIC INCHES						
CATALOG NUMBER	DESCRIPTION BRACKET & SETBACK	KNOCKOUTS			STD. PKG.	UPC BAR CODE
		SIDES	ENDS	BOTTOM		
670RAC	—	6-1/2"	2-1/2"	3-1/2"	50	—
8670	—	6-1/2"	2-1/2"	3-1/2"	50	
674	—	4-3/4"	2-3/4"	2-3/4"	50	
678	TS brkt., 1/2"	3-1/2"	2-1/2"	3-1/2"	50	
671	A brkt., 5/8"	3-1/2"	2-1/2"	3-1/2"	50	

4" x 2" HANDY BOX EXTENSION – 1-1/2" DEEP – WELDED WITH CONDUIT KO'S – 11.5 CUBIC INCHES						
CATALOG NUMBER	DESCRIPTION BRACKET & SETBACK	KNOCKOUTS			STD. PKG.	UPC BAR CODE
		SIDES	ENDS	BOTTOM		
653	—	6-1/2"	2-1/2"	—	25	

4" x 2" HANDY BOX EXTENSION – 1-7/8" DEEP – DRAWN WITH CONDUIT KO'S – 13.0 CUBIC INCHES						
CATALOG NUMBER	DESCRIPTION BRACKET & SETBACK	KNOCKOUTS			STD. PKG.	UPC BAR CODE
		SIDES	ENDS	BOTTOM		
665	—	6-1/2"	2-1/2"	—	50	

3-3/4" x 1-9/16" INDUSTRIAL HANDY BOX & COVER – 1-1/2" DEEP – DRAWN WITH CONDUIT KO'S – 7.3 CUBIC INCHES						
CATALOG NUMBER	DESCRIPTION BRACKET & SETBACK	KNOCKOUTS			STD. PKG.	UPC BAR CODE
		SIDES	ENDS	BOTTOM		
640	—	6-1/2"	2-1/2"	3-1/2"	50	—
880	Blank cover & captive screws	—	—	—	50	—

DIMENSIONS			
CATALOG NUMBER	A	B	C
670, 8670	2-1/8"	—	—
674	2-1/8"	—	—
678	2-1/8"	7"	2-3/8"
671	2-1/8"	7"	2-3/8"
653	1-1/2"	—	—
665	1-7/8"	—	—