

4" SQUARE COVERS


Applications

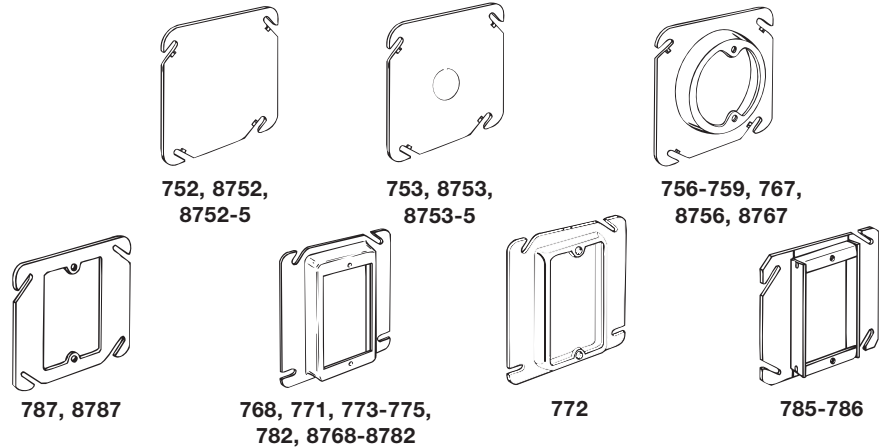
- Covers are used to close an outlet box
- Raised device covers are used for mounting switches or receptacles

Product Feature

- Angled mounting slots compensate up to 12° for box misalignment

Compliances

-  – File E195978
-  – File LR-1082



RACO STEEL BOXES & COVERS

ORDERING INFORMATION - DIMENSIONS

| 4" SQUARE COVERS | | | | | | |
|------------------|---------------------------------------|---------|-----------|--------------|--------------------------------|-----------------------|
| CATALOG NUMBER | DESCRIPTION | CU. IN. | STD. PKG. | UPC BAR CODE | MAX. RECOMMENDED SUPPORT LOADS | |
| | | | | | CEILING FAN (DYNAMIC) LBS. | FIXTURE (STATIC) LBS. |
| 752 | Flat, blank | — | 50 | — | No | No |
| 8752 | Flat, blank | — | 50 | | No | No |
| 8752-5 | Flat, blank | — | 50* | | No | No |
| 753 | Flat, 1/2" KO in center | — | 50 | — | No | No |
| 8753 | Flat, 1/2" KO in center | — | 50 | | No | No |
| 8753-5 | Flat, 1/2" KO in center | — | 50* | | No | No |
| 767 | Raised 1/2", open, ears 2-3/4" O.C. | 3.0 | 25 | — | No | 50 |
| 8767 | Raised 1/2", open, ears 2-3/4" O.C. | 3.0 | 25 | | No | 50 |
| 756 | Raised 5/8", open, ears 2-3/4" O.C. | 4.0 | 100 | — | No | 50 |
| 8756 | Raised 5/8", open, ears 2-3/4" O.C. | 4.0 | 100 | | No | 50 |
| 759 | Raised 3/4", open, ears 2-3/4" O.C. | 5.0 | 25 | | No | 50 |
| 757 | Raised 1", open, ears 2-3/4" O.C. | 6.8 | 25 | | No | 50 |
| 758 | Raised 1-1/4", open, ears 2-3/4" O.C. | 8.5 | 25 | — | No | 50 |

*5 Bundles of 10

| 4" SQUARE COMBINATION - DEVICE AND TILE COVERS - SINGLE DEVICE | | | | |
|--|--------------------|---------|-----------|--------------|
| CATALOG NUMBER | DESCRIPTION | CU. IN. | STD. PKG. | UPC BAR CODE |
| 787 | Flat | — | 50 | — |
| 8787 | Flat | — | 50 | |
| 771 | Raised 1/4" | 1.5 | 100 | — |
| 8771 | Raised 1/4" | 1.5 | 25 | |
| 772 | Raised 1/2", drawn | 3.5 | 100 | — |
| 8772 | Raised 1/2", drawn | 3.5 | 50 | |
| 782 | Raised 1/2", tile | 3.5 | 25 | — |
| 8782 | Raised 1/2", tile | 3.5 | 25 | |
| 768 | Raised 5/8" | 4.5 | 50 | — |
| 8768 | Raised 5/8" | 4.5 | 50 | |
| 773 | Raised 3/4" | 5.5 | 50 | — |
| 8773 | Raised 3/4" | 5.5 | 50 | |
| 774 | Raised 1" | 7.5 | 25 | |
| 775 | Raised 1-1/4" | 9.5 | 25 | — |
| 8775 | Raised 1-1/4" | 9.5 | 25 | |
| 785 | Raised 1-1/2" | 11.3 | 25 | — |
| 786 | Raised 2" | 14.5 | 25 | — |

