

Applications

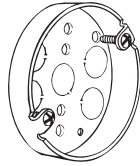
- Ceiling pans are used in the installation of ceiling or wall lighting fixtures
- **RACO 293 and 8293 are not designed for ceiling fan support**

Product Features

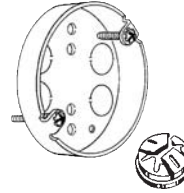
- 295-1, 295 include nonmetallic sheathed cable connector, mounting hardware, and instructions
- Lock-washers on 295, 295-1 prevent the high-strength, hardened screws from loosening from vibration

Compliance

-  – File E195978



293, 8293



295-1



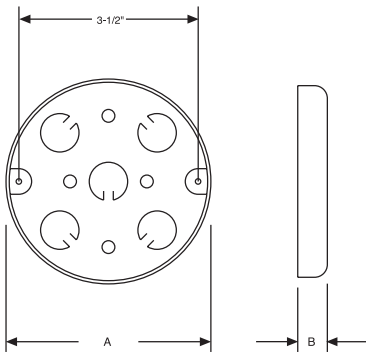
295

ORDERING INFORMATION - DIMENSIONS

4" ROUND CEILING FAN AND FIXTURE PAN - 1/2" DEEP - DRAWN WITH CONDUIT KO'S - 6.0 CUBIC INCHES							
CATALOG NUMBER	DESCRIPTION	KNOCKOUTS		STD. PKG.	UPC BAR CODE	MAX. RECOMMENDED SUPPORT LOADS	
		SIDES	BOTTOM			CEILING FAN (DYNAMIC) LBS.	FIXTURE (STATIC) LBS.
		COND.	COND.				
293	Rnd. ceiling pan	—	5-1/2"	50	—	No	50
8293	Rnd. ceiling pan	—	5-1/2"	50		No	50
295-1	—	—	4-1/2"	10	—	35	75
295	—	—	4-1/2"	10*		35	75

*Packaged in a stackable, individual chipboard box suitable for shelf display

4" ROUND PAN



DIMENSIONS		
CATALOG NUMBER	A	B
293, 8293	4"	9/16"
295, 295-1	4"	9/16"

