



Applications

- Locations made hazardous due to the presence of flammable gases or vapors, combustible dust, or easily ignitable fibers and flyings, and areas which are subject to corrosion, weather and dampness
- Petroleum Refineries, Chemical and Petrochemical plants with indoor and outdoor process
- Applications requiring junction, pull and/or splice boxes
- Enclosures to house control stations, relays, starters, circuit breakers, terminal blocks and other equipment or devices
- (Lens viewing windows cannot be added to the Prism Series Enclosures. Use Killark Quantum Enclosures where viewing windows are required.)

Features

- Copper-Free Cast Aluminum construction. High strength, lighter in weight, corrosion resistant
- Quick Release, Captivated Cover Bolts of 316 Grade Stainless Steel. Triple-lead bolts require only 3-1/2 turns to disengage. Stainless steel (316 grade) for maximum protection from corrosion



**Class I, Div. 1 & 2,
Groups B,C,D[Ⓢ]
Class I, Zone 1 & 2
Groups IIB+H₂, IIA
Class II, Div. 1 & 2,
Groups E,F,G
Class III, Div. 1 & 2
NEMA 3, 4, 4X, 7(B,C,D), 9(E,F,G)**

UL #UL1203 - Explosion proof and dust-ignition-proof electrical equipment for use in hazardous (classified) locations. File #E83969

CS #C22.2 No. 30-M1986-Explosion-proof Enclosure for use in Class I Hazardous Locations. FILE #LR11716

FEATURES-SPECIFICATIONS

- Gasketed Flange. Nitrile (BUNA-N) "O" ring gasket is located inside bolt circle to prevent water seeping into enclosure
- Ductile Mounting Lugs. Lugs are made of ductile aluminum alloy to adjust to irregular mounting surfaces without damage to enclosure
- Hinged Cover is Standard
- Recessed Flange Notches. Flanges are notched to allow for easier cover opening with prying instrument without flange damage

- Conduit Openings. Conduit openings can be supplied at factory, or can be field installed. See page E34

Material/Finish

- Enclosure: Cast Copper-free Aluminum (less than 4/10 of 1%)
- Hinges: Aluminum with stainless steel hardware
- Cover Bolts: 316 Grade Stainless Steel
- Aluminum Lacquer Paint Finish Standard on all B7E except B7EP and B7EQ which are powder epoxy as standard

E

B7E JUNCTION BOXES AND ENCLOSURES												
CATALOG NUMBER	DIMENSIONS (SEE PAGE E14)								DRAWING FIGURE	MAXIMUM CONDUIT SIZE		MAXIMUM NUMBER OF OPERATORS [Ⓢ]
	NOMINAL INSIDE			OUTSIDE			MOUNTING			TOP & BOTTOM	SIDES	
	WIDTH (A)	LENGTH (B)	DEPTH (C)	WIDTH (D)	LENGTH (E)	DEPTH (F)	WIDTH (G)	LENGTH (H)				
B7EA	6-1/2"	13-1/2"	6-11/16"	11"	18"	9-1/8"	3-5/8"	16-3/8"	1	1-1/2"	1"	4 rows of 2 = 8
B7EB	10"	18-1/2"	6-5/8"	14-1/2"	23"	9-1/8"	7"	21-3/8"	1	1-1/2"	1"	7 rows of 3 = 21
B7EC	8"	15 1/2"	6-11/16"	12-1/2"	20"	9-1/8"	5"	18-3/8"	1	1-1/2"	1"	5 rows of 2 = 10
B7ED	10"	21"	6-11/16"	14-1/2"	25-1/2"	9-1/8"	7"	23-7/8"	1	1-1/2"	1"	8 rows of 3 = 24
B7EE	8"	21-3/4"	8-5/16"	12-1/2"	26-1/4"	10-3/4"	5"	24-5/8"	1	2"	2"	8 rows of 2 = 16
B7EF	13"	22-3/4"	8-3/8"	17-7/8"	27-1/4"	11"	10-3/8"	25-5/8"	1	4"	4"	8 rows of 4 = 32
B7EG	12"	29-3/4"	8-7/8"	16-1/2"	34-1/4"	11-1/2"	9"	32-5/8"	1	5"	4"	8 rows of 3 = 24
B7EH	17"	29-3/4"	8-11/16"	21-1/2"	34-1/4"	11-7/8"	14"	32-5/8"	1	5"	4"	9 rows of 5 = 45
B7EJ	15-1/2"	57-1/2"	9-5/16"	20-1/4"	62-1/4"	15"	18-1/2"	43-1/2"	2	5"	5"	18 rows of 4 = 72
B7EK	13"	20"	6-5/8"	17-1/2"	24-3/4"	9-1/2"	15-1/4"	13"	2	3"	1-1/2"	6 rows of 4 = 24
B7EL	13"	29"	6-5/8"	17-1/2"	33-3/8"	9-1/2"	15-1/4"	21"	2	3"	1-1/2"	9 rows of 4 = 36
B7EM	13"	41"	6-5/8"	17-1/2"	45-3/8"	9-1/2"	15-1/4"	33"	2	3"	1-1/2"	14 rows of 4 = 56
B7EN	13"	50"	6-5/8"	17-1/2"	54-3/8"	9-1/2"	15-1/4"	42"	2	3"	1-1/2"	17 rows of 4 = 68
B7EP [Ⓢ]	3-5/8"	5-13/16"	5-1/16"	5-3/4"	8-1/16"	6-5/16"	3-1/8"	8-1/8"	1	1"	1"	1 row of 2 = 2
B7EQ [Ⓢ]	4-1/4"	9-3/16"	6-5/16"	8-1/8"	13-1/16"	7-13/16"	6-3/8"	7-1/2"	2	1-1/2"	1-1/2"	1 row of 4 = 4

[Ⓢ]All Conduits must be sealed within 18" when used in Group B Locations.
[Ⓢ]Operator spacing is 2-1/2" \pm to \pm except on B7EG & B7EH spacing is 3" \pm to \pm .
 Internal Mounting Pan Thickness is 1/8" except on B7EJ it is 3/16" thick.
 B7EJ Enclosure Cover has an Internal Rib Structure. Consult Killark for drawing details before layout of cover devices.
 Maximum number of "G" series control operators permitted in cover, down + across = total.
[Ⓢ]B7 COMPACT Series - Details on page 14A.





FEATURES-SPECIFICATIONS

B7E JUNCTION BOXES AND ENCLOSURES			
CATALOG NUMBER	PAN ^③		
	CATALOG NUMBER	WIDTH (J)	LENGTH (K)
B7EA	19919	5"	11-3/4"
B7EB	19920	8-1/4"	16-3/4"
B7EC	18245	6-1/4"	13-3/4"
B7ED	19921	8-3/8"	19-3/8"
B7EE	19923	6-3/8"	20-3/8"
B7EF	18472	11-5/8"	21-1/4"
B7EG	19924	10"	28"
B7EH	19925	15-3/8"	28-3/8"
B7EJ	18279	13-1/2"	54"
B7EK	19926	11"	18"
B7EL	19927	11"	27"
B7EM	19928	11"	39"
B7EN	19929	11"	47"
B7EP ^④	—	N/A	N/A
B7EQ ^④	—	N/A	N/A

MODIFICATIONS	
SUFFIX NUMBER	DESCRIPTION
KIT-251	100 amp ground lug
KIT-252	225 amp ground lug
SU3 ^①	Drain & breather installed (NEMA 7CD)
SU3B ^{① ②}	Drain & breather installed (NEMA 7BCD)
SU94	"Drill, tap & plug for future" drain & breather
SU9	Special paint finish
SU14	Fungus proofing of enclosure
SU93	Do not paint enclosure

① ② The installation of a Drain & Breather will void the NEMA 4-4X rating of enclosure. Not CSA.

③ Internal Mounting Pan Thickness is 1/8" except on B7EJ it is 3/16" thick.

④ B7 COMPACT Series - Details on page 14A.

Dimensions (See page E13)

Figure 1

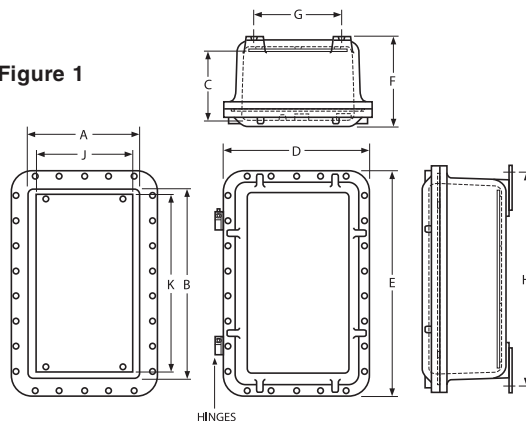


Figure 2

