



ZS108



Locknut
(See page F71)

Listed - File E22698

Certified - File LR73478
See files for details or call Killark.

FEATURES-SPECIFICATIONS

Applications

Use to secure and seal cords or cables entering enclosures or raceways.

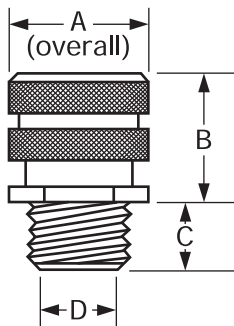
Z Series connectors are also suitable for use in hazardous locations per National Electrical Code (Articles 501-4(b), 502-4(a&b), 503-3(a&b)). Consult these articles for sealing requirements that may apply.

Features

- Aluminum construction resists corrosion
- Neoprene grommet seals out oil and moisture
- Nylon retention ring ensures superior holding power
- Wide range of sizes and configurations

Material/Finish

- Copper-free aluminum (less than 4/10 of 1%)
- Natural finish



Z CORD CONNECTORS — STRAIGHT							
CATALOG NUMBER	NPT SIZE	CORD RANGES	COLOR CODE	DIMENSIONS			
				A	B	C	D
ZS001	3/8"	.062-.125	Green	.99	.90	.425	.453
ZS002	3/8"	.125-.187	Orange	.99	.90	.425	.453
ZS003	3/8"	.187-.250	Red	.99	.90	.425	.453
ZS004	3/8"	.250-.312	Black	.99	.90	.425	.453
ZS006	3/8"	.312-.375	White	.99	.90	.425	.453
ZS007	3/8"	.375-.437	Blue	.99	.90	.425	.453
ZS101	1/2"	.062-.125	Green	1.13	1.10	.55	.635
ZS102	1/2"	.125-.187	Orange	1.13	1.10	.55	.635
ZS103	1/2"	.187-.250	Red	1.13	1.10	.55	.635
ZS105	1/2"	.250-.375	White	1.13	1.10	.55	.635
ZS108	1/2"	.375-.500	Blue	1.13	1.10	.55	.635
ZS109	1/2"	.500-.625	Brown	1.13	1.10	.55	.635
ZS110*	1/2"	.625-.750	Yellow	1.40	1.50	.55	.635
ZS111*	1/2"	.750-.875	Purple	1.40	1.50	.55	.635
ZS201	3/4"	.062-.125	Green	1.29	1.10	.55	.635
ZS202	3/4"	.125-.187	Orange	1.29	1.10	.55	.635
ZS203	3/4"	.187-.250	Red	1.29	1.10	.55	.635
ZS205	3/4"	.250-.375	White	1.29	1.10	.55	.635
ZS208	3/4"	.375-.500	Blue	1.29	1.10	.55	.635
ZS209	3/4"	.500-.625	Brown	1.29	1.10	.55	.635
ZS210	3/4"	.625-.750	Yellow	1.40	1.50	.55	.815
ZS211*	3/4"	.750-.875	Purple	1.40	1.50	.55	.815
ZS308	1"	.375-.500	Blue	1.81	1.60	.71	1.015
ZS309	1"	.500-.625	Brown	1.81	1.60	.71	1.015
ZS310	1"	.625-.750	Yellow	1.81	1.60	.71	1.015
ZS311	1"	.750-.875	Purple	1.81	1.60	.71	1.015
ZS312	1"	.875-1.000	Gray	1.81	1.60	.71	1.015
ZS313*	1"	1.000-1.125	Pink	2.31	1.70	.66	1.015
ZS314*	1"	1.125-1.250	—	2.31	1.70	.66	1.015
ZS315*	1"	1.250-1.375	—	2.31	1.70	.66	1.015
ZS411	1-1/4"	.750-.875	—	2.31	1.70	.74	1.255
ZS412	1-1/4"	.875-1.000	—	2.31	1.70	.74	1.255
ZS413	1-1/4"	1.000-1.125	—	2.31	1.70	.74	1.255
ZS414	1-1/4"	1.125-1.250	—	2.31	1.70	.74	1.255
ZS415*	1-1/4"	1.250-1.375	—	2.31	1.70	.74	1.255

Z CORD CONNECTORS — STRAIGHT							
CATALOG NUMBER	NPT SIZE	CORD RANGES	DIMENSIONS				
			A	B	C	D	
ZS511	1-1/2"	.750-.875	2.31	1.70	.75	1.38	
ZS512	1-1/2"	.875-1.000	2.31	1.70	.75	1.38	
ZS513	1-1/2"	1.000-1.125	2.31	1.70	.75	1.38	
ZS514	1-1/2"	1.125-1.250	2.31	1.70	.75	1.38	
ZS515	1-1/2"	1.250-1.375	2.31	1.70	.75	1.38	
ZS516	1-1/2"	1.375-1.500	3.00	2.20	.75	1.50	
ZS517*	1-1/2"	1.500-1.625	3.00	2.20	.75	1.50	
ZS518*	1-1/2"	1.625-1.750	3.00	2.20	.75	1.50	
ZS520*	1-1/2"	1.750-1.875	3.00	2.20	.75	1.50	
ZS615	2"	1.250-1.375	3.25	2.20	.80	1.92	
ZS616	2"	1.375-1.500	3.25	2.20	.80	1.92	
ZS617	2"	1.500-1.625	3.25	2.20	.80	1.92	
ZS618	2"	1.625-1.750	3.25	2.20	.80	1.92	
ZS620	2"	1.750-1.875	3.25	2.20	.80	1.92	
ZS619	2"	1.688-1.812	4.06	2.70	1.27	1.94	
ZS621	2"	1.812-1.937	4.06	2.70	1.27	1.94	
ZS622*	2"	1.937-2.062	4.06	2.70	1.27	1.94	
ZS623*	2"	2.062-2.188	4.06	2.70	1.27	1.94	
ZS624*	2"	2.188-2.312	4.06	2.70	1.27	1.94	
ZS719	2-1/2"	1.688-1.812	4.33	2.70	1.27	2.34	
ZS721	2-1/2"	1.812-1.937	4.33	2.70	1.27	2.34	
ZS722	2-1/2"	1.937-2.062	4.33	2.70	1.27	2.34	
ZS723	2-1/2"	2.062-2.188	4.33	2.70	1.27	2.34	
ZS724	2-1/2"	2.188-2.312	4.33	2.70	1.27	2.34	
ZS725*	2-1/2"	2.312-2.437	4.33	2.70	1.27	2.34	
ZS819	3"	1.688-1.812	4.33	2.70	1.30	2.54	
ZS822	3"	1.937-2.062	4.33	2.70	1.30	2.54	
ZS823	3"	2.062-2.188	4.33	2.70	1.30	2.54	
ZS824	3"	2.188-2.312	4.33	2.70	1.30	2.54	
ZS825	3"	2.312-2.437	4.33	2.70	1.30	2.54	
ZS826	3"	2.437-2.625	4.87	2.70	1.38	3.00	
ZS827	3"	2.625-2.812	4.87	2.70	1.38	3.00	
ZS828	3"	2.812-3.000	4.87	2.70	1.38	3.00	
ZS829*	3"	3.000-3.250	4.87	2.70	1.38	3.00	

* Cable jacket may have to be stripped to pass through connector body on all sizes.



ZN310



Locknut

FEATURES-SPECIFICATIONS

Applications

Use to secure and seal cords or cables entering enclosures or raceways.

Z Series connectors are also suitable for use in hazardous locations per National Electrical Code (Articles 501-4(b), 502-4(a&b), 503-3(a&b)). Consult these articles for sealing requirements that may apply.

Features

- Aluminum construction resists corrosion
- Neoprene grommet seals out oil and moisture
- Nylon retention ring ensures superior holding power
- Wide range of sizes and configurations

Material/Finish

- Copper-free aluminum (less than 4/10 of 1%)
- Natural finish

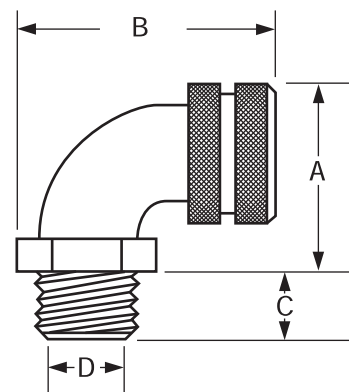
Z CORD CONNECTORS — 90°							
CATALOG NUMBER	NPT SIZE	CORD RANGES	COLOR CODE	DIMENSIONS			
				A	B	C	D
ZN102	1/2"	.125-.187	Orange	1.56	2.30	.50	.546
ZN103	1/2"	.187-.250	Red	1.56	2.30	.50	.546
ZN105	1/2"	.250-.375	White	1.56	2.30	.50	.546
ZN108	1/2"	.375-.500	Blue	1.56	2.30	.50	.546
ZN109*	1/2"	.500-.625	Brown	1.56	2.30	.50	.546
ZN208	3/4"	.375-.500	Blue	1.79	2.80	.562	.765
ZN209	3/4"	.500-.625	Brown	1.79	2.80	.562	.765
ZN210*	3/4"	.625-.750	Yellow	1.79	2.80	.562	.765
ZN211*	3/4"	.750-.875	Purple	1.79	2.80	.562	.765
ZN309	1"	.500-.625	Brown	2.08	3.20	.703	1.00
ZN310	1"	.625-.750	Yellow	2.08	3.20	.703	1.00
ZN311	1"	.750-.875	Purple	2.08	3.20	.703	1.00
ZN312*	1"	.875-1.000	Gray	2.08	3.20	.703	1.00
ZN313*	1"	1.000-1.125	Pink	2.08	3.20	.703	1.00
ZN412	1-1/4"	.875-1.000	—	3.18	4.30	.73	1.26
ZN413	1-1/4"	1.000-1.125	—	3.18	4.30	.73	1.26
ZN414*	1-1/4"	1.125-1.250	—	3.18	4.30	.73	1.26
ZN415*	1-1/4"	1.250-1.375	—	3.18	4.30	.73	1.26
ZN513	1-1/2"	1.000-1.125	—	3.18	4.30	.75	1.50
ZN515	1-1/2"	1.250-1.375	—	3.18	4.30	.75	1.50
ZN616	2"	1.375-1.500	—	3.50	5.50	.80	1.92

* Cable jacket may have to be stripped to pass through connector body.

OPTIONAL LOCKNUTS AND SEALING WASHERS		
CATALOG NUMBER		NPT SIZES
STEEL LOCKNUTS [Ⓛ]	SEALING WASHERS [Ⓜ]	
LN375	—	3/8"
LN1	KOR-1	1/2"
LN2	KOR-2	3/4"
LN3	KOR-3	1"
LN4	KOR-4	1-1/4"
LN5	KOR-5	1-1/2"
LN6	KOR-6	2"
LN7	—	2-1/2"
LN8	—	3"

Ⓛ 2-1/2" through 3" are malleable, with hexhead flats.

Ⓜ Neoprene washers are mounted on steel reinforcing bands.





UL Listed - File E22698
SF Certified - File LR73478
 See files for details or call Killark.

FEATURES-SPECIFICATIONS

Applications

Z Series cord connector grips combine aluminum cord connectors with stainless steel mesh grips to provide superior cord pull-out prevention in indoor and outdoor applications. These grips provide enclosure terminations where cords are subjected to moisture or splashing water. They are also suitable for use in hazardous locations per National Electrical Code (Articles 501-4(b), 502-4(a&b), 503-3(a&b)). Consult these article for sealing requirements that may apply.

Features

- Aluminum fittings are strong, durable and corrosion resistant
- Internal grommet provides liquidtight seal
- Stainless steel mesh grips resist corrosion, prevent cord pull-out and control arc-of-bend

Material/Finish

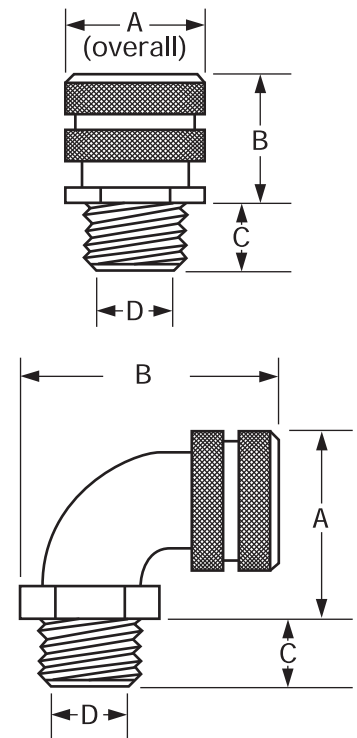
- Copper-free aluminum (less than 4/10 of 1%)
- Natural finish
- Stainless steel mesh grip

Z CORD CONNECTORS — STRAIGHT							
CATALOG NUMBER	NPT SIZE	CORD RANGES	COLOR CODE	DIMENSIONS			
				A	B	C	D
ZS004-MG	3/8"	.250-.312	Black	.99	.90	.425	.453
ZS006-MG	3/8"	.312-.375	White	.99	.90	.425	.453
ZS007-MG	3/8"	.375-.437	Blue	.99	.90	.425	.453
ZS103-MG	1/2"	.187-.250	Red	1.13	1.10	.55	.635
ZS105-MG	1/2"	.250-.375	White	1.13	1.10	.55	.635
ZS108-MG	1/2"	.375-.500	Blue	1.13	1.10	.55	.635
ZS109-MG	1/2"	.500-.625	Brown	1.13	1.10	.55	.635
ZS110-MG	1/2"	.625-.750	Yellow	1.40	1.50	.55	.635
ZS111-MG	1/2"	.750-.875	Purple	1.40	1.50	.55	.635
ZS203-MG	3/4"	.187-.250	Red	1.29	1.10	.55	.635
ZS205-MG	3/4"	.250-.375	White	1.29	1.10	.55	.635
ZS208-MG	3/4"	.375-.500	Blue	1.29	1.10	.55	.635
ZS209-MG	3/4"	.500-.625	Brown	1.29	1.10	.55	.635
ZS210-MG	3/4"	.625-.750	Yellow	1.40	1.50	.55	.815
ZS211-MG	3/4"	.750-.875	Purple	1.40	1.50	.55	.815
ZS308-MG	1"	.375-.500	Blue	1.81	1.60	.71	1.015
ZS309-MG	1"	.500-.625	Brown	1.81	1.60	.71	1.015
ZS310-MG	1"	.625-.750	Yellow	1.81	1.60	.71	1.015
ZS311-MG	1"	.750-.875	Purple	1.81	1.60	.71	1.015
ZS312-MG	1"	.875-1.00	Gray	1.81	1.60	.71	1.015
ZS313-MG	1"	1.00-1.125	Pink	2.31	1.70	.66	1.015

Z CORD CONNECTORS — 90°							
CATALOG NUMBER	NPT SIZE	CORD RANGES	COLOR CODE	DIMENSIONS			
				A	B	C	D
ZN103-MG	1/2"	.187-.250	Red	1.56	2.30	.50	.546
ZN105-MG	1/2"	.250-.375	White	1.56	2.30	.50	.546
ZN108-MG	1/2"	.375-.500	Blue	1.56	2.30	.50	.546
ZN109-MG	1/2"	.500-.625	Brown	1.56	2.30	.50	.546
ZN208-MG	3/4"	.375-.500	Blue	1.79	2.80	.562	.765
ZN209-MG	3/4"	.500-.625	Brown	1.79	2.80	.562	.765
ZN210-MG	3/4"	.625-.750	Yellow	1.79	2.80	.562	.765
ZN211-MG	3/4"	.750-.875	Purple	1.79	2.80	.562	.765

OPTIONAL LOCKNUTS AND SEALING WASHERS		
CATALOG NUMBER		NPT SIZES
STEEL LOCKNUTS ^①	SEALING WASHERS ^②	
LN375	—	3/8"
LN1	KOR-1	1/2"
LN2	KOR-2	3/4"
LN3	KOR-3	1"
LN4	KOR-4	1-1/4"
LN5	KOR-5	1-1/2"
LN6	KOR-6	2"
LN7	—	2-1/2"
LN8	—	3"

^① 2-1/2" through 3" are malleable, with hexhead flats.
^② Neoprene washers are mounted on steel reinforcing bands.





ZS210CR



ZN210CR

Listed - File E22698
 Certified - File LR73478
 See files for details or call Killark.

FEATURES-SPECIFICATIONS

Applications

Durable nylon construction makes these connectors perfectly suited to corrosive environments.

Typical applications for nylon cord connectors include food processing facilities, chemical and sewage treatment plants and off-shore and dock-side installations.

Features

- Nylon retention ring for increased holding power
- Neoprene bushing seals against moisture
- Nylon connectors obtain approximately the same cord retention values with hand tightening that can be produced only by wrench tightening of metal cord connectors

Material

- Nylon

Z NYLON CORD CONNECTORS — STRAIGHT			
CATALOG NUMBER*	NPT SIZE	CORD RANGES	COLOR CODE
ZS002CR	3/8"	.125-.187	Orange
ZS003CR	3/8"	.187-.250	Red
ZS004CR	3/8"	.250-.312	Black
ZS006CR	3/8"	.312-.375	White
ZS007CR	3/8"	.375-.437	Blue
ZS101CR	1/2"	.062-.125	Green
ZS102CR	1/2"	.125-.187	Orange
ZS103CR	1/2"	.187-.250	Red
ZS105CR	1/2"	.250-.375	White
ZS108CR	1/2"	.375-.500	Blue
ZS109CR	1/2"	.500-.625	Brown
ZS208CR	3/4"	.375-.500	Blue
ZS209CR	3/4"	.500-.625	Brown
ZS210CR	3/4"	.625-.750	Yellow
ZS211CR*	3/4"	.750-.875	Purple
ZS308CR	1"	.375-.500	Blue
ZS309CR	1"	.500-.625	Brown
ZS310CR	1"	.625-.750	Yellow
ZS311CR	1"	.750-.875	Purple
ZS312CR	1"	.875-1.000	Gray
ZS313CR*	1"	1.000-1.125	Pink

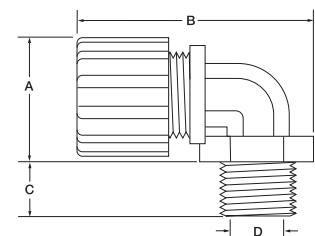
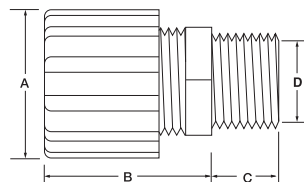
* Cable Jacket may have to be stripped to pass through connector body.

Z NYLON CORD CONNECTORS — 90°			
CATALOG NUMBER*	NPT SIZE	CORD RANGES	COLOR CODE
ZN102CR	1/2"	.125-.187	Orange
ZN103CR	1/2"	.187-.250	Red
ZN105CR	1/2"	.250-.375	White
ZN108CR	1/2"	.375-.500	Blue
ZN109CR	1/2"	.500-.625	Brown
ZN208CR	3/4"	.375-.500	Blue
ZN209CR	3/4"	.500-.625	Brown
ZN210CR*	3/4"	.625-.750	Yellow
ZN211CR*	3/4"	.750-.875	Purple
ZN310CR	1"	.625-.750	Yellow
ZN311CR	1"	.750-.875	Purple
ZN312CR*	1"	.875-1.000	Gray

OPTIONAL LOCKNUTS	
CATALOG NUMBER	NPT SIZE
LN-375CR	3/8"
LN-1CR	1/2"
LN-2CR	3/4"
LN-3CR	1"

Z STRAIGHT DIMENSIONS				
NPT SIZE	DIMENSIONS			
	A	B	C	D
3/8"	63/64"	1-3/32"	7/16"	7/16"
1/2"	1-1/4"	1-1/2"	17/32"	37/64"
3/4"	1-31/64"	1-5/8"	35/64"	49/64"
1"	1-27/32"	1-3/4"	11/16"	1-1/16"

Z 90° DIMENSIONS				
NPT SIZE	DIMENSIONS			
	A	B	C	D
1/2"	1-13/32"	2-1/2"	17/32"	1-1/2"
3/4"	1-21/32"	2-51/64"	35/64"	49/64"
1"	1-63/64"	3-19/64"	11/16"	1-1/64"





ZS108-EX



Locknut
(See page F79)

AEx (Class I, Zone 1) Ex e II
Type 4**

Listed - File E22698

Certified - File LR73478
See files for details or call Killark.

FEATURES-SPECIFICATIONS

Applications

Use to secure and seal cords or cables entering enclosures or raceways.

Z Series connectors are also suitable for use in hazardous locations per National Electrical Code Articles 501-4(b), 502-4(a&b), 503-3(a&b), 505-15 (c); Canadian Electrical Code 18-106, 18-122, 18-156, 18-218, 18-252, 18-302 and 18-352; International Electrotechnical Commission (IEC) 60079-7 Increased Safety (Ex e II). Consult these articles for appropriate installation requirements.

Features

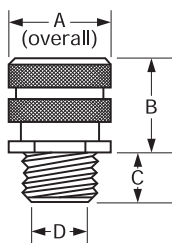
- Aluminum construction resists corrosion
- Neoprene grommet seals out oil and moisture
- Nylon retention ring ensures superior holding power
- Wide range of sizes and configurations

Material/Finish

- Copper-free aluminum (less than 4/10 of 1%)
- Natural finish

† Listed by CSA for Class I, Zone 1 in Canada.
Listed by CSA as a Nationally Recognized Test Lab (NRTL) for Class I, Div. 2, Class I, Zone 2 in the United States.

** Type 4 when installed with a proper gasket.



Z CORD CONNECTORS — STRAIGHT							
CATALOG NUMBER	NPT SIZE	CORD RANGES	COLOR CODE	DIMENSIONS			
				A	B	C	D
ZS001-EX	3/8"	.062-.125	Green	.99	.425	.90	.453
ZS002-EX	3/8"	.125-.187	Orange	.99	.425	.90	.453
ZS003-EX	3/8"	.187-.250	Red	.99	.425	.90	.453
ZS004-EX	3/8"	.250-.312	Black	.99	.425	.90	.453
ZS006-EX	3/8"	.312-.375	White	.99	.425	.90	.453
ZS007-EX	3/8"	.375-.437	Blue	.99	.425	.90	.453
ZS101-EX	1/2"	.062-.125	Green	1.13	.55	1.10	.635
ZS102-EX	1/2"	.125-.187	Orange	1.13	.55	1.10	.635
ZS103-EX	1/2"	.187-.250	Red	1.13	.55	1.10	.635
ZS105-EX	1/2"	.250-.375	White	1.13	.55	1.10	.635
ZS108-EX	1/2"	.375-.500	Blue	1.13	.55	1.10	.635
ZS109-EX	1/2"	.500-.625	Brown	1.13	.55	1.10	.635
ZS110-EX*	1/2"	.625-.750	Yellow	1.40	.55	1.50	.635
ZS111-EX*	1/2"	.750-.875	Purple	1.40	.55	1.50	.635
ZS201-EX	3/4"	.062-.125	Green	1.29	.55	1.10	.635
ZS202-EX	3/4"	.125-.187	Orange	1.29	.55	1.10	.635
ZS203-EX	3/4"	.187-.250	Red	1.29	.55	1.10	.635
ZS205-EX	3/4"	.250-.375	White	1.29	.55	1.10	.635
ZS208-EX	3/4"	.375-.500	Blue	1.29	.55	1.10	.635
ZS209-EX	3/4"	.500-.625	Brown	1.29	.55	1.10	.635
ZS210-EX	3/4"	.625-.750	Yellow	1.40	.55	1.50	.815
ZS211-EX*	3/4"	.750-.875	Purple	1.40	.55	1.50	.815
ZS308-EX	1"	.375-.500	Blue	1.81	.71	1.60	1.015
ZS309-EX	1"	.500-.625	Brown	1.81	.71	1.60	1.015
ZS310-EX	1"	.625-.750	Yellow	1.81	.71	1.60	1.015
ZS311-EX	1"	.750-.875	Purple	1.81	.71	1.60	1.015
ZS312-EX	1"	.875-1.000	Gray	1.81	.71	1.60	1.015
ZS313-EX*	1"	1.000-1.125	Pink	2.31	.66	1.70	1.015
ZS314-EX*	1"	1.125-1.250	—	2.31	.66	1.70	1.015
ZS315-EX*	1"	1.250-1.375	—	2.31	.66	1.70	1.015
ZS411-EX	1-1/4"	.750-.875	—	2.31	.74	1.70	1.255
ZS412-EX	1-1/4"	.875-1.000	—	2.31	.74	1.70	1.255
ZS413-EX	1-1/4"	1.000-1.125	—	2.31	.74	1.70	1.255
ZS414-EX	1-1/4"	1.125-1.250	—	2.31	.74	1.70	1.255
ZS415-EX*	1-1/4"	1.250-1.375	—	2.31	.74	1.70	1.255

Z CORD CONNECTORS — STRAIGHT							
CATALOG NUMBER	NPT SIZE	CORD RANGES	DIMENSIONS				
			A	B	C	D	
ZS511-EX	1-1/2"	.750-.875	2.31	.75	1.70	1.38	
ZS512-EX	1-1/2"	.875-1.000	2.31	.75	1.70	1.38	
ZS513-EX	1-1/2"	1.000-1.125	2.31	.75	1.70	1.38	
ZS514-EX	1-1/2"	1.125-1.250	2.31	.75	1.70	1.38	
ZS515-EX	1-1/2"	1.250-1.375	2.31	.75	1.70	1.38	
ZS516-EX	1-1/2"	1.375-1.500	3.00	.75	2.20	1.50	
ZS517-EX*	1-1/2"	1.500-1.625	3.00	.75	2.20	1.50	
ZS518-EX*	1-1/2"	1.625-1.750	3.00	.75	2.20	1.50	
ZS520-EX*	1-1/2"	1.750-1.875	3.00	.75	2.20	1.50	
ZS615-EX	2"	1.250-1.375	3.25	.80	2.20	1.92	
ZS616-EX	2"	1.375-1.500	3.25	.80	2.20	1.92	
ZS617-EX	2"	1.500-1.625	3.25	.80	2.20	1.92	
ZS618-EX	2"	1.625-1.750	3.25	.80	2.20	1.92	
ZS620-EX	2"	1.750-1.875	3.25	.80	2.20	1.92	
ZS619-EX	2"	1.688-1.812	4.06	1.27	2.70	1.94	
ZS621-EX	2"	1.812-1.937	4.06	1.27	2.70	1.94	
ZS622-EX*	2"	1.937-2.062	4.06	1.27	2.70	1.94	
ZS623-EX*	2"	2.062-2.188	4.06	1.27	2.70	1.94	
ZS624-EX*	2"	2.188-2.312	4.06	1.27	2.70	1.94	
ZS719-EX	2-1/2"	1.688-1.812	4.33	1.27	2.70	2.34	
ZS721-EX	2-1/2"	1.812-1.937	4.33	1.27	2.70	2.34	
ZS722-EX	2-1/2"	1.937-2.062	4.33	1.27	2.70	2.34	
ZS723-EX	2-1/2"	2.062-2.188	4.33	1.27	2.70	2.34	
ZS724-EX	2-1/2"	2.188-2.312	4.33	1.27	2.70	2.34	
ZS725-EX*	2-1/2"	2.312-2.437	4.33	1.27	2.70	2.34	
ZS819-EX	3"	1.688-1.812	4.33	1.30	2.70	2.54	
ZS822-EX	3"	1.937-2.062	4.33	1.30	2.70	2.54	
ZS823-EX	3"	2.062-2.188	4.33	1.30	2.70	2.54	
ZS824-EX	3"	2.188-2.312	4.33	1.30	2.70	2.54	
ZS825-EX	3"	2.312-2.437	4.33	1.30	2.70	2.54	
ZS826-EX	3"	2.437-2.625	4.87	1.38	2.70	3.00	
ZS827-EX	3"	2.625-2.812	4.87	1.38	2.70	3.00	
ZS828-EX	3"	2.812-3.000	4.87	1.38	2.70	3.00	
ZS829-EX*	3"	3.000-3.250	4.87	1.38	2.70	3.00	

* Cable jacket may have to be stripped to pass through connector body on all sizes.





ZN310-EX



Locknut

AEx (Class I, Zone 1) Ex e II†
Type 4**

Listed - File E22698

Certified - File LR73478
 See files for details or call Killark.

FEATURES-SPECIFICATIONS

Applications

Use to secure and seal cords or cables entering enclosures or raceways.

Z Series connectors are also suitable for use in hazardous locations per National Electrical Code Articles 501-4(b), 502-4(a&b), 503-3(a&b), 505-15 (c); Canadian Electrical Code 18-106, 18-122, 18-156, 18-218, 18-252, 18-302 and 18-352; International Electrotechnical Commission (IEC) 60079-7 Increased Safety (Ex e II). Consult these articles for appropriate installation requirements.

Features

- Aluminum construction resists corrosion
- Neoprene grommet seals out oil and moisture
- Nylon retention ring ensures superior holding power
- Wide range of sizes and configurations

Material/Finish

- Copper-free aluminum (less than 4/10 of 1%)
- Natural finish

† Listed by CSA for Class I, Zone 1 in Canada.
 Listed by CSA as a Nationally Recognized Test Lab (NRTL) for Class I, Div. 2, Class I, Zone 2 in the United States.

** Type 4 when installed with a proper gasket.

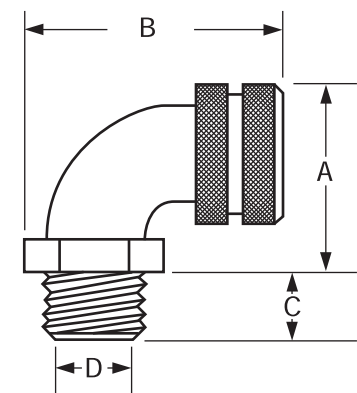
Z CORD CONNECTORS — 90°							
CATALOG NUMBER	NPT SIZE	CORD RANGES	COLOR CODE	DIMENSIONS			
				A	B	C	D
ZN102-EX	1/2"	.125-.187	Orange	1.56	2.30	.50	.546
ZN103-EX	1/2"	.187-.250	Red	1.56	2.30	.50	.546
ZN105-EX	1/2"	.250-.375	White	1.56	2.30	.50	.546
ZN108-EX	1/2"	.375-.500	Blue	1.56	2.30	.50	.546
ZN109-EX*	1/2"	.500-.625	Brown	1.56	2.30	.50	.546
ZN208-EX	3/4"	.375-.500	Blue	1.79	2.80	.562	.765
ZN209-EX	3/4"	.500-.625	Brown	1.79	2.80	.562	.765
ZN210-EX*	3/4"	.625-.750	Yellow	1.79	2.80	.562	.765
ZN211-EX*	3/4"	.750-.875	Purple	1.79	2.80	.562	.765
ZN309-EX	1"	.500-.625	Brown	2.08	3.20	.703	1.00
ZN310-EX	1"	.625-.750	Yellow	2.08	3.20	.703	1.00
ZN311-EX	1"	.750-.875	Purple	2.08	3.20	.703	1.00
ZN312-EX*	1-1/4"	.875-1.000	Gray	2.08	3.20	.703	1.00
ZN313-EX*	1-1/4"	1.000-1.125	Pink	2.08	3.20	.703	1.00
ZN412-EX	1-1/4"	.875-1.000	—	3.18	4.30	.73	1.26
ZN413-EX	1-1/4"	1.000-1.125	—	3.18	4.30	.73	1.26
ZN414-EX*	1-1/4"	1.125-1.250	—	3.18	4.30	.73	1.26
ZN415-EX*	1-1/4"	1.250-1.375	—	3.18	4.30	.73	1.26
ZN513-EX	1-1/2"	1.000-1.125	—	3.18	4.30	.75	1.50
ZN515-EX	1-1/2"	1.250-1.375	—	3.18	4.30	.75	1.50
ZN616-EX	2"	1.375-1.500	—	3.50	5.50	.80	1.92

*Cable jacket may have to be stripped to pass through connector body.

OPTIONAL LOCKNUTS AND SEALING WASHERS		
CATALOG NUMBER		NPT SIZES
STEEL LOCKNUTS①	SEALING WASHERS②	
KILLN375	—	3/8"
KILLN1	KOR-1	1/2"
KILLN2	KOR-2	3/4"
KILLN3	KOR-3	1"
KILLN4	KOR-4	1-1/4"
KILLN5	KOR-5	1-1/2"
KILLN6	KOR-6	2"
KILLN7	—	2-1/2"
KILLN8	—	3"

① 2-1/2" through 3" are malleable, with hexhead flats.

② Neoprene washers are mounted on steel reinforcing bands.



F



SP AEx (Class I, Zone 1) Ex e II†
Type 4**

UL Listed - File E22698

SP Certified - File LR73478
See files for details or call Killark.

FEATURES-SPECIFICATIONS

Applications

Z Series cord connector grips combine aluminum cord connectors with stainless steel mesh grips to provide superior cord pull-out prevention in indoor and outdoor applications. These grips provide enclosure terminations where cords are subjected to moisture or splashing water.

They are also suitable for use in hazardous locations per National Electrical Code (Articles 501-4(b), 502-4(a&b), 503-3(a&b), 505-15 (c); Canadian Electrical Code 18-106, 18-122, 18-156, 18-218, 18-252, 18-302 and 18-352; International Electrotechnical Commission (IEC) 60079-7 Increased Safety (Ex e II). Consult these articles for appropriate installation requirements.

Features

- Aluminum fittings are strong, durable and corrosion resistant
- Internal grommet provides liquid-tight seal
- Stainless steel mesh grips resist corrosion, prevent cord pull-out and control arc-of-bend

Material/Finish

- Copper-free aluminum (less than 4/10 of 1%)
- Natural finish
- Stainless steel mesh grip

† Listed by CSA for Class I, Zone 1 in Canada.
Listed by CSA as a Nationally Recognized Test Lab (NRTL) for Class I, Div. 2, Class I, Zone 2 in the United States.

** Type 4 when installed with a proper gasket.

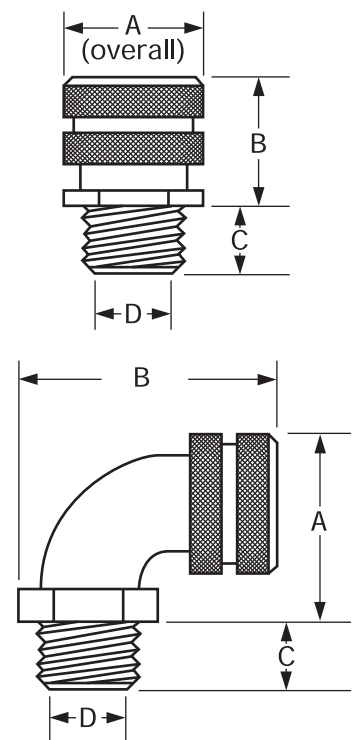
Z CORD CONNECTORS — STRAIGHT							
CATALOG NUMBER	NPT SIZE	CORD RANGES	COLOR CODE	DIMENSIONS			
				A	B	C	D
ZS004-EX-MG	3/8"	.250-.312	Black	.99	.90	.425	.453
ZS006-EX-MG	3/8"	.312-.375	White	.99	.90	.425	.453
ZS007-EX-MG	3/8"	.375-.437	Blue	.99	.90	.425	.453
ZS103-EX-MG	1/2"	.187-.250	Red	1.13	1.10	.55	.635
ZS105-EX-MG	1/2"	.250-.375	White	1.13	1.10	.55	.635
ZS108-EX-MG	1/2"	.375-.500	Blue	1.13	1.10	.55	.635
ZS109-EX-MG	1/2"	.500-.625	Brown	1.13	1.10	.55	.635
ZS110-EX-MG*	1/2"	.625-.750	Yellow	1.40	1.50	.55	.635
ZS111-EX-MG*	1/2"	.750-.875	Purple	1.40	1.50	.55	.635
ZS203-EX-MG	3/4"	.187-.250	Red	1.29	1.10	.55	.635
ZS205-EX-MG	3/4"	.250-.375	White	1.29	1.10	.55	.635
ZS208-EX-MG	3/4"	.375-.500	Blue	1.29	1.10	.55	.635
ZS209-EX-MG	3/4"	.500-.625	Brown	1.29	1.10	.55	.635
ZS210-EX-MG	3/4"	.625-.750	Yellow	1.40	1.50	.55	.815
ZS211-EX-MG*	3/4"	.750-.875	Purple	1.40	1.50	.55	.815
ZS308-EX-MG	1"	.375-.500	Blue	1.81	1.60	.71	1.015
ZS309-EX-MG	1"	.500-.625	Brown	1.81	1.60	.71	1.015
ZS310-EX-MG	1"	.625-.750	Yellow	1.81	1.60	.71	1.015
ZS311-EX-MG	1"	.750-.875	Purple	1.81	1.60	.71	1.015
ZS312-EX-MG*	1"	.875-1.00	Gray	1.81	1.60	.71	1.015
ZS313-EX-MG*	1"	1.00-1.125	Pink	2.31	1.70	.66	1.015

Z CORD CONNECTORS — 90°							
CATALOG NUMBER	NPT SIZE	CORD RANGES	COLOR CODE	DIMENSIONS			
				A	B	C	D
ZN103-EX-MG	1/2"	.187-.250	Red	1.56	2.30	.50	.546
ZN105-EX-MG	1/2"	.250-.375	White	1.56	2.30	.50	.546
ZN108-EX-MG	1/2"	.375-.500	Blue	1.56	2.30	.50	.546
ZN109-EX-MG*	1/2"	.500-.625	Brown	1.56	2.30	.50	.546
ZN208-EX-MG	3/4"	.375-.500	Blue	1.79	2.80	.562	.765
ZN209-EX-MG	3/4"	.500-.625	Brown	1.79	2.80	.562	.765
ZN210-EX-MG*	3/4"	.625-.750	Yellow	1.79	2.80	.562	.765
ZN211-EX-MG*	3/4"	.750-.875	Purple	1.79	2.80	.562	.765

OPTIONAL LOCKNUTS AND SEALING WASHERS		
CATALOG NUMBER		NPT SIZES
STEEL LOCKNUTS①	SEALING WASHERS②	
KILLN375	—	3/8"
KILLN1	KOR-1	1/2"
KILLN2	KOR-2	3/4"
KILLN3	KOR-3	1"
KILLN4	KOR-4	1-1/4"
KILLN5	KOR-5	1-1/2"
KILLN6	KOR-6	2"
KILLN7	—	2-1/2"
KILLN8	—	3"

② 1-1/2" through 3" are malleable, with hexhead flats.

① Neoprene washers are mounted on steel reinforcing bands.



* Cable jacket may have to be stripped to pass through connector body on all sizes.



Z SERIES • FITTINGS

INCREASED SAFETY CORROSION RESISTANT NYLON CORD CONNECTORS



ZS210CR-EX



ZN210CR-EX

SP AEx (Class I, Zone 1) Ex e II†
Type 4**

UL Listed - File E22698

SP Certified - File LR73478
See files for details or call Killark.

FEATURES-SPECIFICATIONS

Applications

Durable nylon construction makes these connectors perfectly suited to corrosive environments.

Typical applications for nylon cord connectors include food processing facilities, chemical and sewage treatment plants and off-shore and dock-side installations.

Features

- Nylon retention ring for increased holding power
- Neoprene bushing seals against moisture
- Nylon connectors obtain approximately the same cord retention values with hand tightening that can be produced only by wrench tightening of metal cord connectors

Material

- Nylon

† Listed by CSA for Class I, Zone 1 in Canada.
Listed by CSA as a Nationally Recognized Test Lab (NRTL) for Class I, Div. 2, Class I, Zone 2 in the United States.

** Type 4 when installed with a proper gasket.

Z NYLON CORD CONNECTORS — STRAIGHT			
CATALOG NUMBER	NPT SIZE	CORD RANGES	COLOR CODE
ZS002CR-EX	3/8"	.125-.187	Orange
ZS003CR-EX	3/8"	.187-.250	Red
ZS004CR-EX	3/8"	.250-.312	Black
ZS006CR-EX	3/8"	.312-.375	White
ZS007CR-EX	3/8"	.375-.437	Blue
ZS101CR-EX	1/2"	.062-.125	Green
ZS102CR-EX	1/2"	.125-.187	Orange
ZS103CR-EX	1/2"	.187-.250	Red
ZS105CR-EX	1/2"	.250-.375	White
ZS108CR-EX	1/2"	.375-.500	Blue
ZS109CR-EX	1/2"	.500-.625	Brown
ZS208CR-EX	3/4"	.375-.500	Blue
ZS209CR-EX	3/4"	.500-.625	Brown
ZS210CR-EX	3/4"	.625-.750	Yellow
ZS211CR-EX*	3/4"	.750-.875	Purple
ZS308CR-EX	1"	.375-.500	Blue
ZS309CR-EX	1"	.500-.625	Brown
ZS310CR-EX	1"	.625-.750	Yellow
ZS311CR-EX	1"	.750-.875	Purple
ZS312CR-EX	1"	.875-1.000	Gray
ZS313CR-EX*	1"	1.000-1.125	Pink

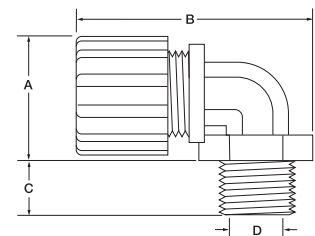
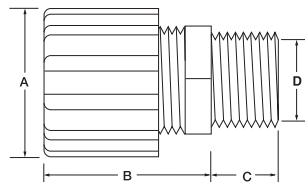
* Cable Jacket may have to be stripped to pass through connector body.

Z NYLON CORD CONNECTORS — 90°			
CATALOG NUMBER	NPT SIZE	CORD RANGES	COLOR CODE
ZN102CR-EX	1/2"	.125-.187	Orange
ZN103CR-EX	1/2"	.187-.250	Red
ZN105CR-EX	1/2"	.250-.375	White
ZN108CR-EX	1/2"	.375-.500	Blue
ZN109CR-EX	1/2"	.500-.625	Brown
ZN208CR-EX	3/4"	.375-.500	Blue
ZN209CR-EX	3/4"	.500-.625	Brown
ZN210CR-EX*	3/4"	.625-.750	Yellow
ZN211CR-EX*	3/4"	.750-.875	Purple
ZN310CR-EX	1"	.625-.750	Yellow
ZN311CR-EX	1"	.750-.875	Purple
ZN312CR-EX*	1"	.875-1.000	Gray

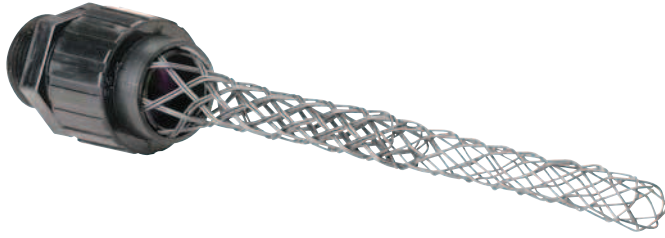
OPTIONAL LOCKNUTS	
CATALOG NUMBER	NPT SIZE
LN-375CR	3/8"
LN-1CR	1/2"
LN-2CR	3/4"
LN-3CR	1"

Z STRAIGHT DIMENSIONS				
NPT SIZE	DIMENSIONS			
	A	B	C	D
3/8"	63/64"	1-3/32"	7/16"	7/16"
1/2"	1-1/4"	1-1/2"	17/32"	37/64"
3/4"	1-31/64"	1-5/8"	35/64"	49/64"
1"	1-27/32"	1-3/4"	11/16"	1-1/16"


Z 90° DIMENSIONS				
NPT SIZE	DIMENSIONS			
	A	B	C	D
1/2"	1-13/32"	2-1/2"	17/32"	1-1/2"
3/4"	1-21/32"	2-51/64"	35/64"	49/64"
1"	1-63/64"	3-19/64"	11/16"	1-1/64"



KILLARK®



ZS308CR-EX-MG

 **AEx (Class I, Zone 1) Ex e II†**
Type 4**

 Listed - File E22698

 Certified - File LR73478
See files for details or call Killark.

FEATURES-SPECIFICATIONS

Applications

Durable nylon construction makes these connectors perfectly suited to corrosive environments.

Typical applications for nylon cord connectors include food processing facilities, chemical and sewage treatment plants and off-shore and dock-side installations.

Features

- Nylon retention ring for increased holding power
- Neoprene bushing seals against moisture
- Nylon connectors obtain approximately the same cord retention values with hand tightening that can be produced only by wrench tightening of metal cord connectors

Material

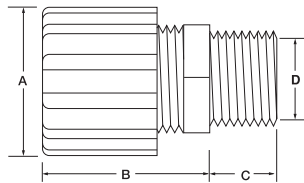
- Nylon
- Kevlar mesh grip

† Listed by CSA for Class I, Zone 1 in Canada.
Listed by CSA as a Nationally Recognized Test Lab (NRTL) for Class I, Div. 2, Class I, Zone 2 in the United States.

** Type 4 when installed with a proper gasket.

Z NYLON CORD CONNECTORS — STRAIGHT			
CATALOG NUMBER	NPT SIZE	CORD RANGES	COLOR CODE
ZS003CR-EX-MG	3/8"	.187-.250	Red
ZS004CR-EX-MG	3/8"	.250-.312	Black
ZS006CR-EX-MG	3/8"	.312-.375	White
ZS103CR-EX-MG	1/2"	.187-.250	Red
ZS105CR-EX-MG	1/2"	.250-.375	White
ZS108CR-EX-MG	1/2"	.375-.500	Blue
ZS208CR-EX-MG	3/4"	.375-.500	Blue
ZS209CR-EX-MG	3/4"	.500-.625	Brown
ZS210CR-EX-MG	3/4"	.625-.750	Yellow
ZS309CR-EX-MG	1"	.500-.625	Brown
ZS310CR-EX-MG	1"	.625-.750	Yellow
ZS311CR-EX-MG	1"	.750-.875	Purple
ZS312CR-EX-MG	1"	.875-1.000	Gray

Z STRAIGHT DIMENSIONS				
NPT SIZE	DIMENSIONS			
	A	B	C	D
3/8"	63/64"	1-3/32"	7/16"	7/16"
1/2"	1-1/4"	1-1/2"	17/32"	37/64"
3/4"	1-31/64"	1-5/8"	35/64"	49/64"
1"	1-27/32"	1-3/4"	11/16"	1-1/16"



Z NYLON CORD CONNECTORS — 90°			
CATALOG NUMBER	NPT SIZE	CORD RANGES	COLOR CODE
ZN105CR-EX-MG	1/2"	.250-.375	White
ZN108CR-EX-MG	1/2"	.375-.500	Blue
ZN208CR-EX-MG	3/4"	.375-.500	Blue
ZN209CR-EX-MG	3/4"	.500-.625	Brown
ZN210CR-EX-MG	3/4"	.625-.750	Yellow
ZN310CR-EX-MG	1"	.625-.750	Yellow
ZN311CR-EX-MG	1"	.750-.875	Purple

OPTIONAL LOCKNUTS	
CATALOG NUMBER	NPT SIZE
LN-375CR	3/8"
LN-1CR	1/2"
LN-2CR	3/4"
LN-3CR	1"

Z 90° DIMENSIONS				
NPT SIZE	DIMENSIONS			
	A	B	C	D
1/2"	1-13/32"	2-1/2"	17/32"	1-1/2"
3/4"	1-21/32"	2-51/64"	35/64"	49/64"
1"	1-63/64"	3-19/64"	11/16"	1-1/64"

