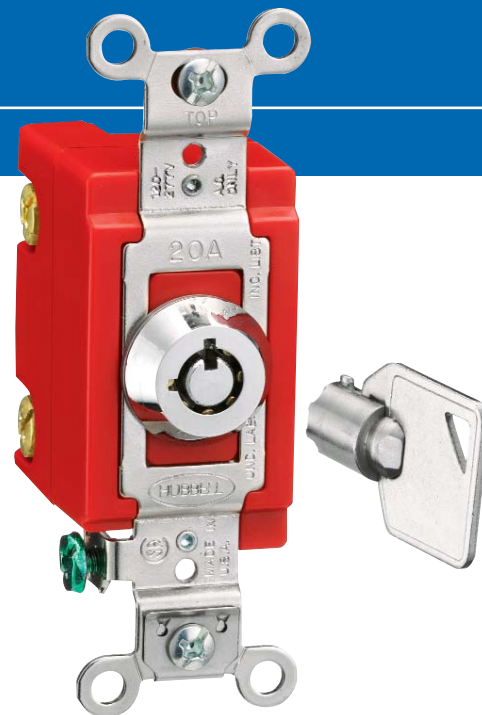


AC Industrial Switches

Barrel Keyed Locking Switch

Locked Out? You Bet!



Features:

- Barrel keyed lock and key for maximum security
- Six-point tumbler cylinder provides added pick-resistance.
- Push turn ratcheting tactile feel with rotary 9-12 o'clock action for intuitive use.
- Locks keyed alike for planned security use with authorized management and maintenance personnel.
- Tapered head, steel lock construction resists impact.
- Hubbell industrial AC switch design.
- Available in single pole, double pole, 3-way and 4-way version.
- Wall plates shipped with standard and tamperproof screws for specifier options.
- Available with clearly marked stainless steel on/off wall plates in one and two gang configurations, sold separately.

Maximum Tamper Resistance

Barrel locking switches offer maximum tamper resistance for demanding security needs. Hubbell offers the best in pick-resistant switches. The six-point tumbler cylinder provides added security to supply override protection from unwarranted access. Barrel locks have been commonly used for fire system control, limited access and high security equipment. Now, Hubbell has designed the barrel lock into its industrial line of AC switches to put you in control.

Authorized Access Only

Barrel keyed switches limit access by unauthorized personnel to give only authorized personnel access to the switches for lights and equipment. Light switches placed in public or semi-public areas play an important role in security and safety. Whether for schools, institutions, theatres, or public buildings good lighting provides safety and using the proper switch increases the security.



Superior Performance

Hubbell's AC barrel keyed locking switch is the better lockout. Whether you need to keep school kids from playing pranks or require a higher level of protection, the barrel lock is the answer. Its round design renders knives, paper clips and other flat object virtually useless. The round barrel key used to activate the cylindrical tumblers cannot easily be duplicated.



Wiring Device-Kellems

www.hubbell-wiring.com

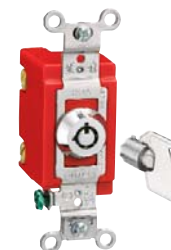
Ordering Information

20 amp 120-277 volt AC industrial switches

Description	Hubbell Catalog Number
Single Pole.	HLB1221RKL
Double Pole.	HLB1222RKL
3-Way.	HLB1223RKL
4-Way.	HLB1224RKL

Wall Plates and Accessories

Description	Hubbell Catalog Number
Single gang, 302 stainless steel with on/off marking.	S12RKL
Single gang, 302 stainless steel with position marking.	S12RKLKM
Two gang, 302 stainless steel with on/off marking.	S22RKL
Two gang, 302 stainless steel with position marking.	S22RKLKM
Tamper proof wall plate screws 1/2", SS spanner head.	HBL7342RKL
Screw driver for spanner head screws.	HBL7372RLK
Barrel Key - replacement.	HBL2309RKL



HBL1221RKL



S12RLK, S12RLKM, S22RLKM.

Switch Performance Data

Mechanical

Barrel Key Lock	6 point tumble cylinder.
Rotary On/Off	9:00 o'clock to 12:00 noon on/off activation.
Terminal Accommodations	#14 AWG min. -#10 AWG Max. solid and stranded wire, back and side wire.

Electrical

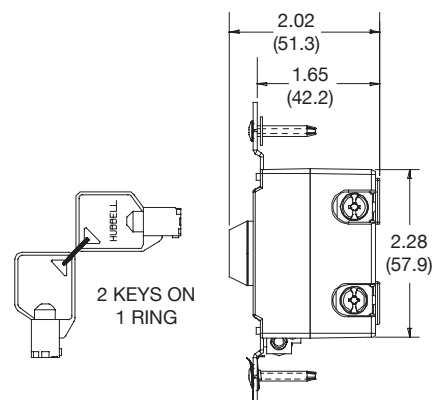
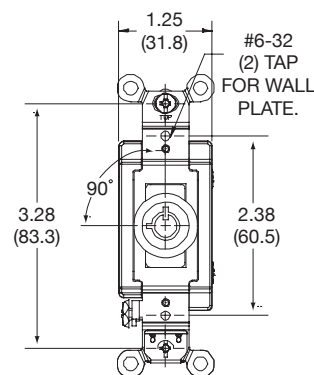
Dielectric Voltage	Withstands 1500V AC minimum.
Max. Working Voltage	277V AC.
Overload	Minimum 4.8 times rated current for 100 cycles.
Temperature Rise	30° C maximum at rated current.
Max. Continuous Current	20A.
Endurance	30,000 cycles min.
Ground	Grounding screw and automatic grounding clip.

Environmental

Flammability	UL 94V-2.
Operating Temperature	Max. continuous: 75 °CMin. continuous: -40 °C with out impact.

Listings

UL 20 Listed	File #E3896.
CSA Certified	C22.2 NO.111-00, File#375M69.



Wiring Device-Kellems