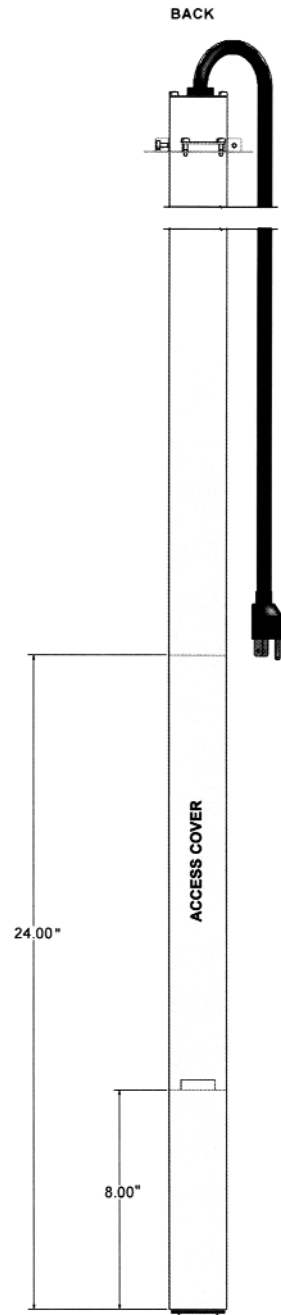
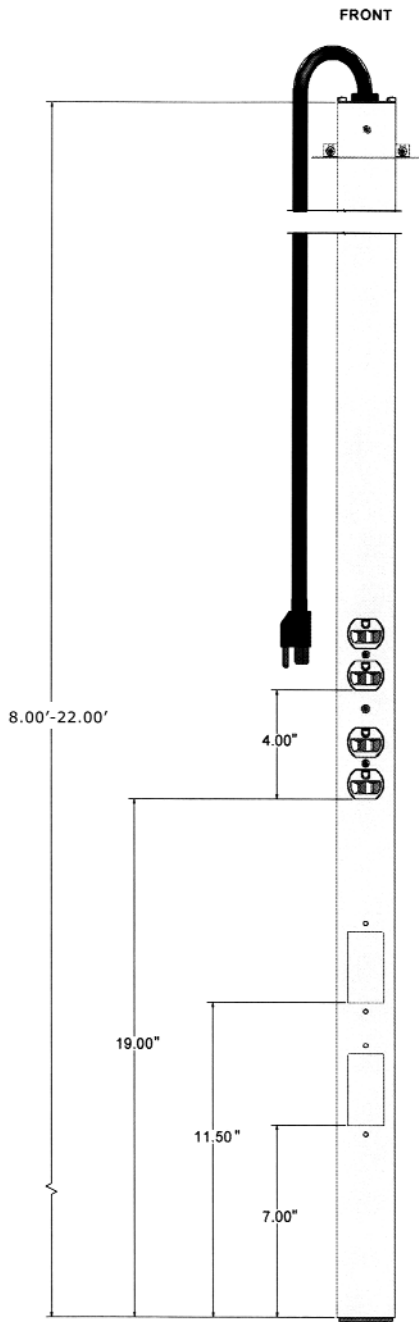


## ORDERING INFORMATION - STANDARD SERVICE POLES

CATALOGUE NUMBER	LENGTH	DESCRIPTION
<b>2 Duplex Receptacles</b> <b>2 Communication Knockouts</b>		
A259024D	9'-0"	Service Pole complete with two specification grade grey duplex receptacles prewired for one circuit, two StyleLine® communication knockouts, 10 ft cordset, ceiling mounting device for top adjustment, non-slip base pad.
A259624D	9'-6"	
A2510024D	10'-0"	
A2510624D	10'-6"	
<b>2 Isolated Ground Receptacles</b> <b>2 Communication Knockouts</b>		
A259024DIGBJ	9'-0"	Service Pole complete with two isolated ground orange duplex receptacles prewired for one circuit, two StyleLine® communication knockouts, junction box, ceiling mounting device for top adjustment, non-slip base pad.
A259624DIGBJ	9'-6"	
A2510024DIGBJ	10'-0"	
A2510624DIGBJ	10'-6"	
<b>1 Isolated Ground and</b> <b>1 Standard Duplex</b> <b>2 Communication Knockouts</b>		
A2590222DRIGBJ	9'-0"	Service pole complete with one isolated ground orange duplex receptacle and one standard duplex receptacle prewired for two circuits, two StyleLine® communication knockouts, junction box, ceiling mounting device for top adjustment, non-slip base pad.
A2596222DRIGBJ	9'-6"	
A25100222DRIGBJ	10'-0"	
A25106222DJIGBJ	10'-6"	
<b>1 Surge Duplex</b> <b>1 Standard Duplex</b> <b>2 Communication Knockouts</b>		
A2590222DRSSBJ	9'-0"	Service pole complete with one blue surge duplex receptacle and one standard duplex receptacle prewired for two circuits, two Style Line® communication knockouts, junction box, ceiling mounting device for top adjustment, non-slip base pad.
A2596222DRSSBJ	9'-6"	
A25100222DRSSBJ	10'-0"	
A25106222DRSSBJ	10'-6"	



**WIRE FILL CAPACITY**

WIRING CAPACITY (@40% Fill)	COMM. CHANNEL CAT 5 (0.250")	POWER CHANNEL #14 THHN
2 CHANNEL POLES	15	41



© Hubbell Wiring Products  
 Hubbell Canada Inc.  
 870 Brock Road South, Pickering, ON L1W 1Z8 • (905) 839-1138 • Fax: (905) 839-9108  
 www.hubbellonline.com  
 TECHNICAL SERVICES: 1-877-233-8324



H1922  
 May2002

## SERVICE POLES

# HUBBELL

## Wiring Products



Aluminum service poles from Hubbell Wiring Products provide the answer when dropping communications and or power cables from a ceiling plenum to workstations below. These high quality poles are rugged and fast to install. They have plenty of capacity to house bundles of cables and are aesthetically pleasing.

Offered in custom lengths to suit your application, Hubbell service poles are equipped with a divider to separate low voltage cables from power. For maximum flexibility the user can specify any combination of outlets or knockouts with or without a divider as required. Hubbell will also supply service poles factory-wired to meet your application requirements.

Additionally, an important feature is providing outlet access to the user on just one face of the service pole. Thus, all connections are visible at a glance. These attractive, rugged, high-quality poles are rich in convenience, flexibility and options. They are designed to accept all of Hubbell's high-performance communication outlets, frames, electrical and communications devices.

### FEATURES

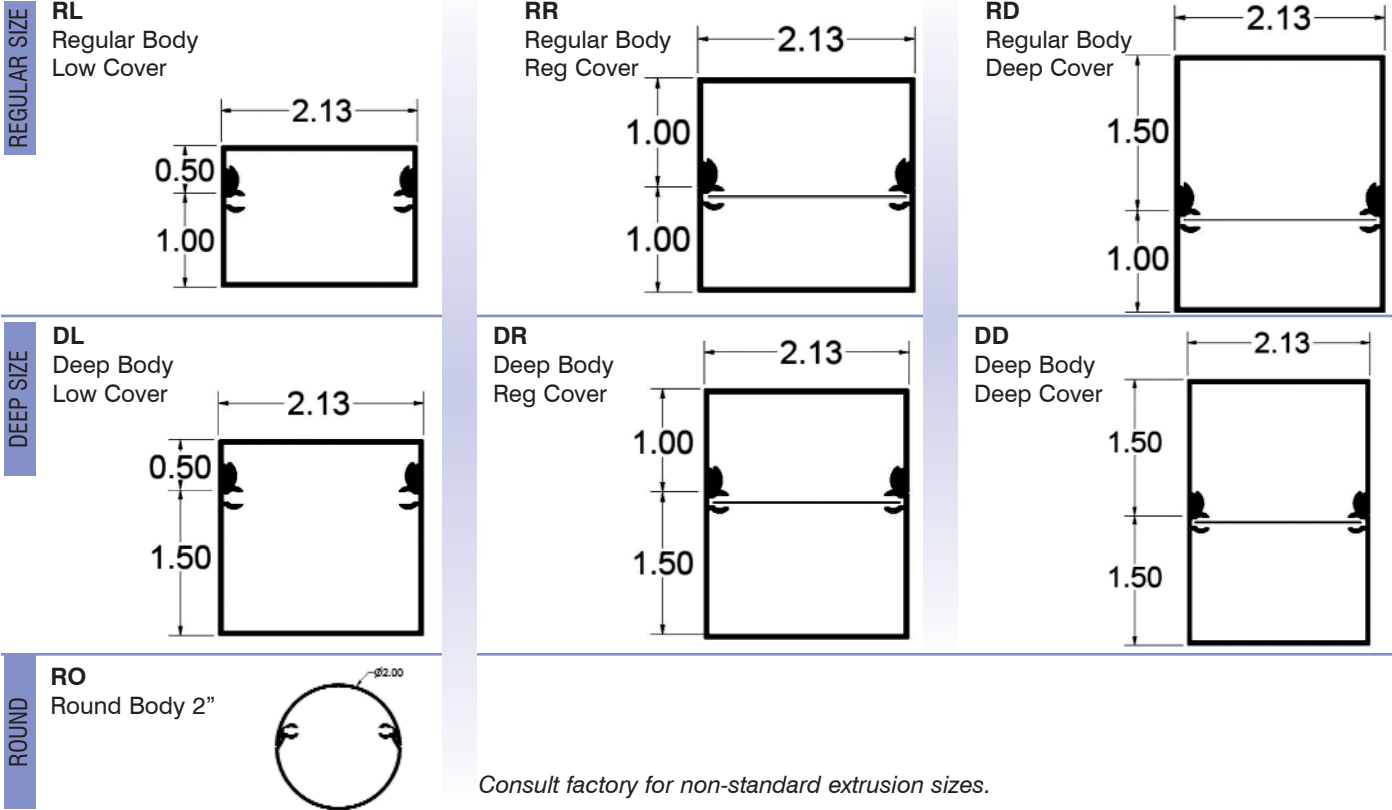
- Made in Canada
- Wide variety of finishes available
- Completely customized
- Internal barrier isolates voice/data channel from power channel
- Power and data devices are accessible from the same side of the pole
- Extruded aluminum design

### BENEFITS

- Short lead time on product
- Attractive, durable appearance
- Built to suit each application
- Delivers greater flexibility and capacity per pole
- Easy access to devices regardless of pole location
- Strong, lightweight

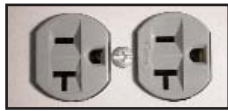


## EXTRUSION STYLE

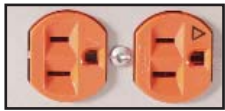


## DEVICE OPTIONS

The commonly used devices are shown below. Consult factory for applications involving other devices.



Duplex  
Standard Specification  
Grade



Duplex  
Isolated Ground



Duplex  
Hospital Grade



Single  
Receptacle



Voice/Data



Twist-Lock®  
20A



Straightblade  
StyleLine®



Single  
Receptacle Round



Surge Suppression  
Receptacle

## POWER ENTRY



### Molded Flexible Cord

Moulded cord & plug 125V 14/3 SJ 6' to 15'



### Junction Box

Junction Box can be used for 1 to 4 circuits



### Assembled Flexible Cord

Cord & plug 6' to 30ft 14/3SJ or 12/3SJ & plug to suit power rating.



### Armoured Cable/Quick Disconnect

Custom power entry like quick connect and disconnect connectors can be used in applications up to 20A 125V

## POWER/ELECTRICAL SECTION

Type of Receptacles to be supplied	Type of Power Connection(s) Required	Number of Receptacle Outlets to Furnish
No Receptacles	<ul style="list-style-type: none"> <li>Molded Plug</li> <li>Assembled Plug</li> <li>Junction Box</li> <li>Armoured Cable</li> </ul> <p>For plug assy's indicate the length of cord required.</p>	Indicate the number of each required.
Single Receptacle		
Duplex Receptacle		
Twist-Lock®		
Hospital Grade		
Surge Supression		
Isolated Ground		
StyleLine®		
None		
Other (Please Specify)		

## COMMUNICATIONS SECTION

Type of Communication Devices to be Installed	Type of Knockout to install.	Type of Frames to Install.	Number of Communication Devices to Furnish
Cat 6 jacks Cat 5E jacks Voice jacks None (Please specify colour of jack required)	<ul style="list-style-type: none"> <li>Style Line® knock-out 2-19/32" x 1-5/16"</li> <li>Standard duplex perforation 7/8" round knock out</li> <li>Amphenol (Pair) knock-out AMP or ACO 2-3/4" x 1-5/8"</li> <li>Panduit, Modcom or Minicom perforation 2 21/32" x 1-11/32"</li> <li>Other please specify.</li> </ul> (Please specify how many of each are required)	<ul style="list-style-type: none"> <li>No face plate required</li> <li>ISF2_ (2 jack opening)</li> <li>ISF3_ (3 jack opening) SL584I Black Only (4 jacks loaded T568A)</li> <li>BR106_ (2 jack opening)</li> </ul>	Indicate the number of each required.

## POLE HEIGHT

Service Poles are available from 8' to 22' 2". Custom sizes are also available.

*Note: Factory standard 2" extension on all stated pole lengths for tile and mounting clearance.*

## COLOUR & FINISH

Standard colours are as follows:



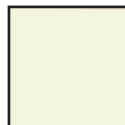
**Grey**



**White**



**Black**



**Ivory**



**Clear Anodized**

*Consult Factory for custom coloured paint and anodizing options.*

## DEVICE CAPACITY

- Maximum of 4 circuits allowed with a maximum of 4 duplex receptacles or 8 outlets per circuit. (32 outlets available on a 4 circuit pole)
- Receptacles with different ratings used in one service pole must have their own designated circuits.
- Isolated ground applications must be wired on a designated circuit
- Receptacles are spaced a minimum of 4.0" apart on single and duplex devices. StyleLine® devices require 4.5" minimum spacing.

## MATERIAL SPECIFICATIONS / CUSTOMIZABILITY GUIDE

### COMPONENT DETAIL

<b>Pole</b>	Extruded aluminum with painted or anodized finish
<b>Barrier</b>	Steel
<b>Base Pad</b>	Foam, Velcro or Screw style
<b>Mounting Device</b>	Steel
<b>Junction Box</b>	Steel, 14,16 or 21 cu in. capacity c/w blank cover
<b>Circuit Wire</b>	#12 (20A) or #14 (15A) Copper Conductor
<b>Approvals</b>	CSA certified or UL listed

## ORDERING INFORMATION - CUSTOM SERVICE POLE

Item Type	Code	SP	RL	09	06	GY	Drawing # from factory
Service Pole	SP	←					
<b>Extrusion Style</b>	<b>Code</b>						
Regular Body, low cover	RL	←					
Regular Body, regular cover	RR	←					
Regular Body, deep cover	RD	←					
Deep Body, low cover	DL	←					
Deep Body, regular cover	DR	←					
Deep Body, deep cover	DD	←					
Round Extrusion 2" diameter	RO	←					
<b>Product Size</b>	<b>Code</b>						
Indicate length in feet	XX	←					
Indicate length in Inches	XX	←					
<b>Colour</b>	<b>Code</b>						
Grey	GY	←					
White	WH	←					
Black	BK	←					
Ivory	IV	←					
Clear Anodized	CA	←					
Custom Colour	OT	←					

*Is service pole used for low voltage voice, data, power or both? Please provide details from the power/electrical and communications section.*

Drawing # is supplied by the factory based on the above information.