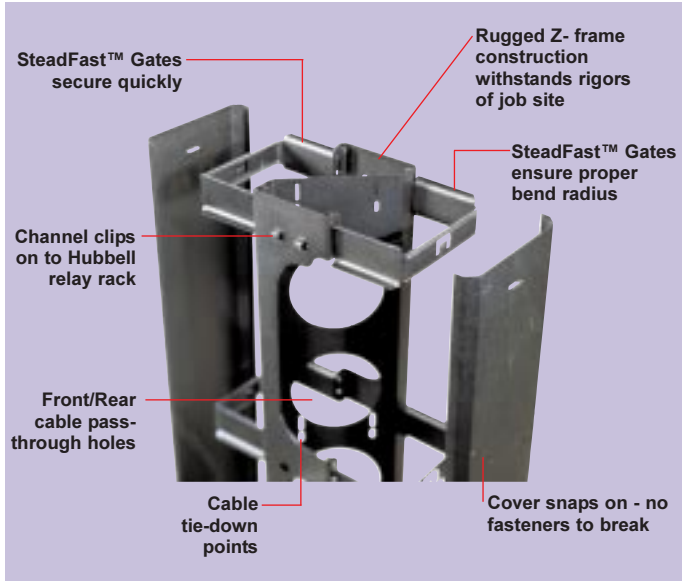


NEXTFRAME™ Vertical Cable Management

Patent-Pending

HUBBELL

Hubbell Premise Wiring



Hubbell Premise Wiring has reinvented vertical cable management. Developed to withstand years of tough use, the new patent-pending NEXTFRAME™ Vertical Cable Organizers utilize a unique “Z”-Frame construction and snap together components. By eliminating fasteners, NEXTFRAME™ vertical cable organizers reduce installation time to the barest minimum and simplify maintenance.

NEXTFRAME™ vertical cable organizers enhance the appearance of any cross connect. The sculpted covers deliver a contemporary and attractive look, concealing patch cords.

The innovative NEXTFRAME™ design provides rolled edges to maintain bend radius, pass-through holes, and slots for tying off cables along the full height of the channel.

NEXTFRAME™ vertical organizers by Hubbell Premise Wiring provide unequalled strength, versatility, durability, and value.



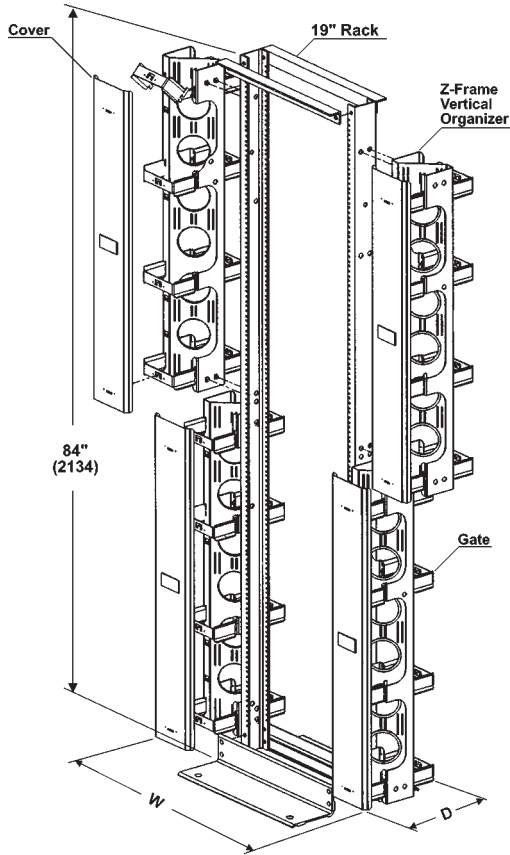
FEATURES

- Two-piece construction survives shipment, easier to install
- Channel clips to Hubbell Premise Wiring equipment racks - single bolt used to secure channel section, if desired
- Universal hole pattern allows channels to bolt to sides of other makes and models
- Gates secure to channel during maintenance
- Front Covers provide attractive appearance

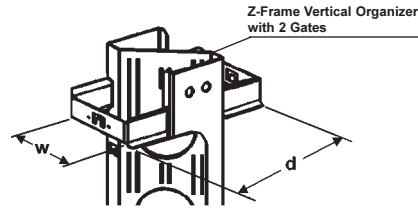
SPECIFICATIONS

- Channel material: 14 ga cold-rolled steel
- Cover material: 16 ga cold-rolled steel
- Finish: Durable black powder coat or aluminum color finish
- Packaged to meet BellCORE GR-63 transportation requirements

Dimensions



	W	w	D	d
CR1973	26.2" (665)	2.12" (54)	10.5" (267)	10.24" (260)
CR1976	32.2" (818)	4.87" (124)	10.5" (267)	10.24" (260)
VC76	-	4.87" (124)	10.5" (267)	10.24" (260)
VC74	-	3.30" (84)	10.5" (267)	10.24" (260)
VC73	-	2.12" (54)	10.5" (267)	10.24" (260)
VC46	-	4.87" (124)	10.5" (267)	10.24" (260)
VC44	-	3.30" (84)	10.5" (267)	10.24" (260)
VC43	-	2.12" (54)	10.5" (267)	10.24" (260)



ORDERING INFORMATION

19" Relay Rack with Cable Channels

Catalog No.	Rack Height	Rack Units	Channel Qty.	Channel Width	Qty. Gates	Qty. Covers	Hardware (ea.) Bolt/Nut/Washer	Finish*
CR1976	7' (2134)	45	4	6"	32	4	4	Black
CR1973	7' (2134)	45	4	3 1/4"	16	-	4	Black

Vertical Organizer

Catalog No.	Rack Height	Rack Units	Channel Qty.	Channel Width	Qty. Gates	Qty. Covers	Hardware (ea.) Bolt/Nut/Washer	Finish*
VC46	4' (1219)	24	1	6"	8	-	1	Black
VC44	4' (1219)	24	1	4 1/2"	8	-	1	Black
VC43	4' (1219)	24	1	3 1/4"	4	-	1	Black
VC76	7' (2134)	45	2	6"	16	2	2	Black
VC74	7' (2134)	45	2	4 1/2"	16	-	2	Black
VC73	7' (2134)	45	2	3 1/4"	8	-	2	Black

Cover

Catalog No.	Rack Height	Rack Units	Channel Qty.	Channel Width	Qty. Gates	Qty. Covers	Hardware (ea.) Bolt/Nut/Washer	Finish*
VCC6	-	-	-	-	-	1	-	Black
VCC4	-	-	-	-	-	1	-	Black
VCC3	-	-	-	-	-	1	-	Black

* For Aluminum finish: add 'A' to Catalog No.



Hubbell Premise Wiring
 HUBBELL INCORPORATED (Delaware)
 14 Lord's Hill Road • Stonington, CT 06378-0901 • (860) 535-8326 • 800-626-0005
 Fax: (860) 535-8328 • Internet site: <http://www.hubbell-premise.com>

Worldwide Locations

Hubbell Premise Wiring, Asia Pacific	852-2836-7131	Fax: 852-2836-7132	Hubbell de Mexico, S.A. de C.V.	52-5-575-2022	Fax: 52-5-559-8626
Hubbell Canada Inc.	905-839-1138	Fax: 905-839-9108	Hubbell Premise Wiring, Middle East	971-4-393-4192	Fax: 971-4-393-4194
Hubbell Premise Wiring, China	86-21-6217-3478	Fax: 86-21-6217-3481	Hubbell Premise Wiring, Puerto Rico	787-720-8383	Fax: 787-720-8373
Hubbell Premise Wiring, Europe	44-1234-855444	Fax: 44-1234-856190	Hubbell-Taian Co., Ltd., Taiwan	886-2-2515-0855	Fax: 886-2-2515-0899
Hubbell Int'l. Inc., Korea Branch	82-2-2607-1363	Fax: 82-2-2603-7386	Hubbell Incorporated, Turkey	90-216-414-8147	Fax: 90-216-414-8148
Hubbell Premise Wiring, Latin America	305-251-4236	Fax: 305-251-4087	Hubbell Premise Wiring, Venezuela	58-81-820323	Fax: 58-81-820323

DS-M12 4/00