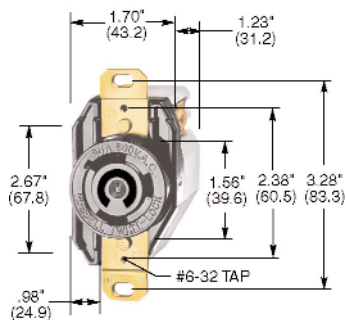


TWIST-LOCK® Devices 2 Pole, 3 Wire Grounding

20 Ampere, 347 Volts AC

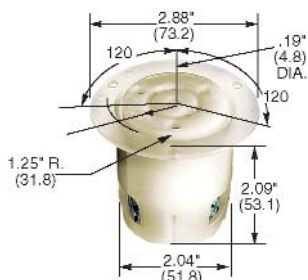
Receptacles, INSULGRIP® Connector Bodies, Flanged Devices and Plugs



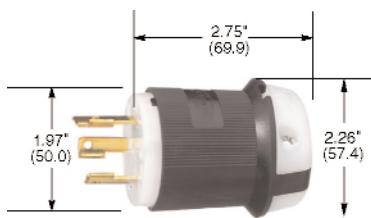
HBL3720



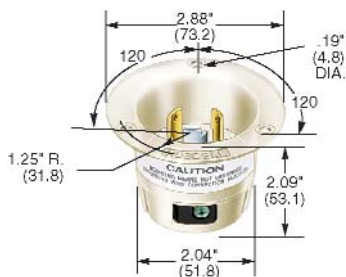
HBL3723



HBL3726



HBL3721



HBL3725



NEMA L24-20R
20A 347V
UL/CSA

Back and Side Wired

Description

Black nylon face.

Catalog Numbers

HBL3720

Insulgrip Connector Bodies IP20 SUITABILITY

Description

Black and white nylon.

Catalog Numbers

HBL3723

Note: Cord clamp range .360"-.930" (9-24).

Insulgrip Flanged Receptacles

Description

Nylon casing, back wired.

Catalog Numbers

HBL3726



NEMA L24-20P
20A 347V
UL/CSA

Insulgrip Plugs IP20 SUITABILITY

Description

Black and white nylon.

Catalog Numbers

HBL3721

Notes: Cord grip range .360"-.930" (9-24).

Insulgrip Flanged Inlets

Description

Nylon casing, back wired.

Catalog Numbers

HBL3725

Notes: See pages B-68 and B-69 for accessories.
For technical information see page B-83.

