



NEMA 5-15

2-Pole 3-Wire Grounding

15 Amp 125V

Back and Side Wired Heavy-Duty Receptacles

Features - Specifications

RECEPTACLE

- Full-face, wraparound design is molded of high-impact, chemical-resistant nylon
- Heavy-duty wraparound steel yoke locked in for maximum strength and security
- Terminal screws: brass combination Phillips/slotted/Robertson binding head accepts up to #10 wire
- Back wiring: eight wiring pockets for convenient feed-thru wiring, clamp-type terminals accepts up to #10 wire
- Approved for CU wire only

- Large green, combination Phillips/slotted/Robertson hex head grounding screw
- Center splined bushing interlocks with receptacle body to prevent rotation when fastening wall plates
- Easily accessible break-off tab for two-circuit wiring
- One-piece triple-wipe brass line contacts
- Double-wipe brass grounding contacts
- UL Listed File #E2258 – Guide #RTRT
- CSA Certified File #LR16215 – Guide #365E1
- Verified under Fed. Spec. #WC596 (5252 series)

- Complies with NEMA Standards WD-1, WD-6 and UL 498
- NOM
- MALE BASE**
- UL Listed File #E1381 – Guide #AXUT
- CSA Certified File #LR16215 – Guide #20T2
- NOM



5252



5278G



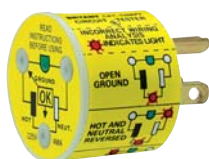
5278



5279



5252C



5266PT

BACK AND SIDE WIRED

CATALOG NUMBER	DESCRIPTION
5252	Brown nylon construction, self-grounding
5252C	Same as above except with Robertson head screws
5252BLK	Black nylon construction, self-grounding
5252GRY	Gray nylon construction, self-grounding
5252I	Ivory nylon construction, self-grounding
5252IC	Same as above except with Robertson head screws
5252RED	Red nylon construction, self-grounding
5252W	White nylon construction, self-grounding

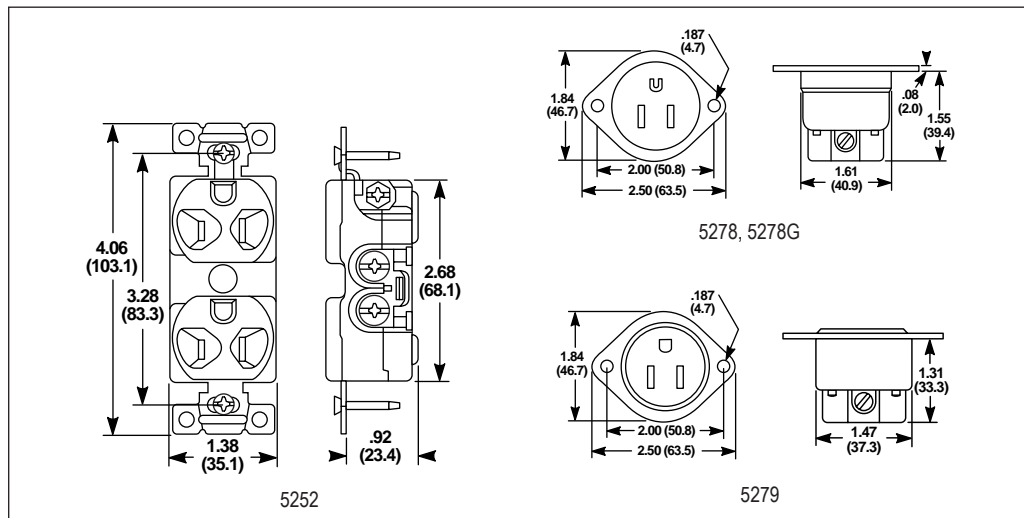
EQUIPMENT DEVICES

CATALOG NUMBER	DESCRIPTION
5278	Male equipment base, white nylon cup
5278G	Male equipment base, black thermoplastic cup, self-grounding strap
5279	Female equipment receptacle, white nylon cup

RECEPTACLE POLARITY TESTER

CATALOG NUMBER	DESCRIPTION
5266PT	Circuit tester w/neon indicator lamps to check NEMA 5-15 and 5-20 receptacles

PRODUCT DIMENSIONS – () Indicates mm dimensions



Specifications are subject to change without notice.