



TECH-SPEC®
2 Pole 3 Wire Grounding 15 Amp 250V
Plugs and Connectors

Features - Specifications

PLUG AND CONNECTOR

- Impact/chemical-resistant nylon/polymer construction with automatic cord grip
- Pre-attached TPE dust seal helps prevent contaminants from entering wiring chamber
- Two quick-fasten captive assembly screws automatically tighten cord grip
- Single side terminal screws reduce wiring time and are color coded for proper terminations

- Transparent terminal cover allows instant visual inspection for proper terminations
- Tapered individual wire pockets help prevent flashover and speed wiring termination
- Strip gauge for accurate wiring
- Verified under Fed. Spec. #WC596 (where applicable)
- UL Listed File #E1381 – Guide #AXUT
- CSA Certified File #LR16215 – Guide #20T2
- Complies with NEMA Standards WD-1, WD-6 and UL 498
- NOM
- CE



5666N



5669N



5666B



5669B



5695

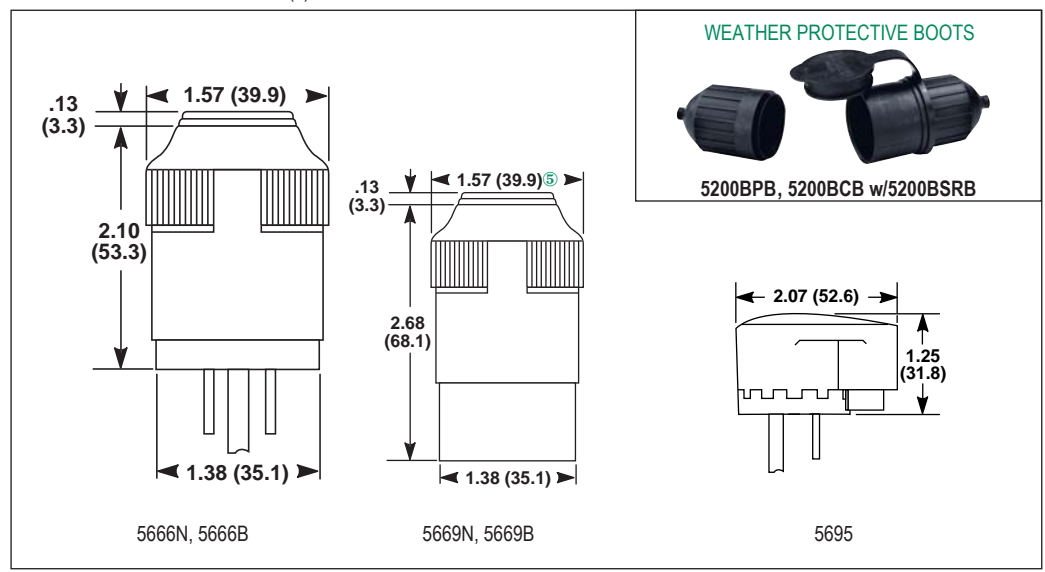
ATTACHMENT PLUGS AND CONNECTORS

CATALOG NUMBER		CORD DIA.	DESCRIPTION
PLUG	CONNECTOR		
5666N	5669N	.245-.655 (6.2-.16.6)	Black/white, nylon/polymer
8666TSP	8669TSC	.300-.655 (7.6-.16.6)	White, nylon, water/dust-tight
5666NSY	5669NSY	.245-.655 (6.2-.16.6)	Sentinel yellow, nylon/polymer
5695 ①	—	.300-.625 (7.6-.15.9)	Angle, 12 position, black/white, nylon
8695T ①	—	.300-.625 (7.6-.15.9)	Angle, 12 position, transparent nylon/polycarbonate, hospital grade
5666B ①	5669B ①	.245-.655 (6.2-.16.6)	Black, thermoplastic
1449BRY ②	1549BRY ②	.300-.625 (7.6-.15.9)	Yellow, thermoplastic, dust-tight

WEATHER PROTECTIVE BOOTS ③ ④

CATALOG NUMBER		DESCRIPTION
BLACK	YELLOW	
		Thermoplastic elastomer
5200BPB	5200BP	Boot for use with 5666-N and 5666-B series plugs
5200BCB	5200BC	Boot for use with 5669-N and 5669-B series connectors
5200BSRB	5200BSR	Sealing ring for use with 5200 series connector boot

PRODUCT DIMENSIONS – () Indicates mm dimensions



① Not all TECH-SPEC features apply to these devices, consult factory.
 ② See page I-13 for water/dust-tight Features – Specifications.
 ③ See page I-16 for more information on weather protective boots.
 ④ Not UL Listed or CSA Certified.
 ⑤ Dimension is 1.53 (38.9) for catalog numbers 5666B & 5669B. See page P-3 for horsepower ratings. Specifications are subject to change without notice.