

2-Pole 3-Wire Grounding 15 Amp 125V; 20 Amp 125V Commercial Grade Receptacles

Features - Specifications

- Rounded-face, wraparound design is molded of high-impact, chemical-resistant nylon
- Heavy-duty wraparound steel yoke
- Terminal screws: brass combination Phillips/slotted/Robertson binding head accepts up to #10 wire
- Back wiring: eight wiring pockets for convenient feed-thru wiring, clamp-type terminals accepts up to #10 wire
- Approved for CU wire only
- Large green, combination Phillips/slotted/Robertson hex head backed out and staked for easy wiring
- Easily accessible break-off tab for two-circuit wiring
- Self-grounding strap for quick installation
- One-piece triple-wipe brass line contacts
- Double-wipe brass grounding contacts
- UL Listed File #E2258 – Guide #RTRT
- CSA Certified File #LR16215 – Guide #365E1
- Complies with NEMA Standards WD-1, WD-6 and UL 498
- NOM



CBRS20I



CBRS20I Side



CR15IGW



CR15IGW Side

15 AMP 125V DUPLEX RECEPTACLES NEMA 5-15

CATALOG NUMBER		DESCRIPTION
SIDE WIRED	BACK & SIDE WIRED	
CRS15	CBRS15	Brown, smooth nylon face, self-grounding Gray, smooth nylon face, self-grounding Ivory, smooth nylon face, self-grounding Black, smooth nylon face, self-grounding White, smooth nylon face, self-grounding
CRS15GRY	CBRS15GRY	
CRS15I	CBRS15I	
CRS15BLK	CBRS15BLK	
CRS15W	CBRS15W	

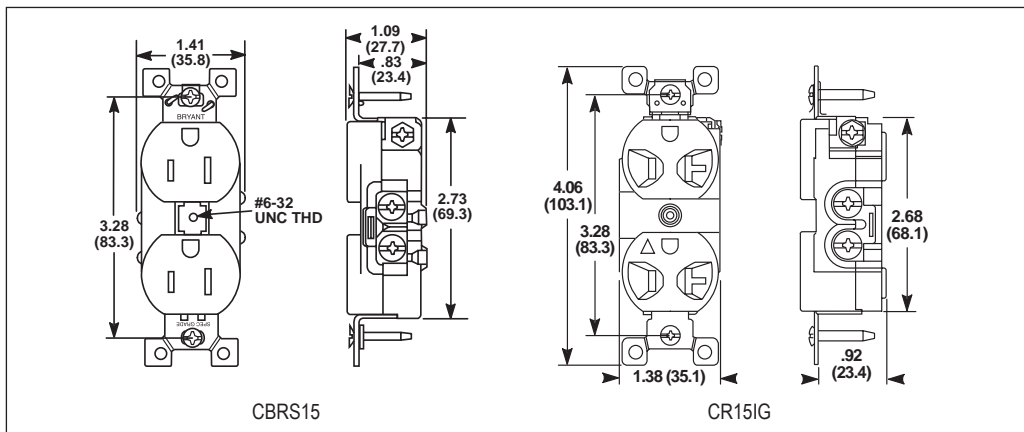
20 AMP 125V DUPLEX RECEPTACLES NEMA 5-20

CATALOG NUMBER		DESCRIPTION
SIDE WIRED	BACK & SIDE WIRED	
CRS20	CBRS20	Brown, smooth nylon face, self-grounding Gray, smooth nylon face, self-grounding Ivory, smooth nylon face, self-grounding Black, smooth nylon face, self-grounding White, smooth nylon face, self-grounding
CRS20GRY	CBRS20GRY	
CRS20I	CBRS20I	
CRS20BLK	CBRS20BLK	
CRS20W	CBRS20W	

ISOLATED GROUND RECEPTACLES

CATALOG NUMBER		DESCRIPTION
15A 125V AC NEMA 5-15	20A 125V AC NEMA 5-20	
CR15IG	CR20IG	Orange, finder groove nylon face, side-wire, isolated ground Gray, finder groove nylon face, side-wire, isolated ground White, finder groove nylon face, side-wire, isolated ground Ivory, finder groove nylon face, side-wire, isolated ground
CR15IGRY	CR20IGRY	
CR15IGW	CR20IGW	
CR15IGI	CR20IGI	

PRODUCT DIMENSIONS – () Indicates mm dimensions



Specifications are subject to change without notice.