

# AC Switches

## Industrial Grade, Push Button & Toggle, Side Wired

### Features - Specifications

#### TOGGLE SWITCH

- AC – general use snap switches are designed for controlling as permitted by the NEC, resistive, inductive, tungsten-filament, fluorescent and motor loads for AC branch lighting and appliance circuits
- Color-coded face indicates ampere rating
- Terminal screws: brass combination Phillips/slotted/Robertson binding head, accepts up to #10 wire
- Approved for CU only
- Exclusive thermoplastic elastomer rocker and coil compression spring

- High impact/chemical resistant nylon toggle
- Urea insulating safety barrier
- Thread cleaning captive combination Phillips/slotted/Robertson mounting screws
- UL Listed File #E1464 – Guide #WMUZ
- Verified under Fed Spec. #W-S 896 (1P-2P-3W)
- CSA Certified File #LR375 – Guide #380-W-19.7
- Complies with UL 20 and NEMA Standard WD-1
- NOM

#### PUSH BUTTON

- High impact/chemical resistant nylon push button
- Zinc-plated steel yoke resists corrosion
- Base and face are molded from tough Rynite®
- Side wiring: large brass binding head terminal screws accept up #10 wire
- Approved for CU wire only
- UL Listed control#28C2 (except where noted)
- CSA certified AP99881-5 (except where noted)
- NOM



1101I



1122



1795WP



4981

### TOGGLE SWITCHES

CATALOG NUMBER		DESCRIPTION
15A 120-277V AC	20A 120-277V AC	
BLUE FACE	RED FACE	
1101	1121	Single-pole, brown handle
—	1121GRY	Single-pole, gray handle
1101I	1121I	Single-pole, ivory handle
—	1121W	Single-pole, white handle
1102BRN	1122	Double-pole, brown handle
—	1122GRY	Double-pole, gray handle
1102I	1122I	Double-pole, ivory handle
—	1122W	Double-pole, white handle
1103BRN	1123	3-way, brown handle
—	1123GRY	3-way, gray handle
1103I	1123I	3-way, ivory handle
—	1123W	3-way, white handle
1104BRN	1124BRN	4-way, brown handle
—	1124GRY	4-way, gray handle
1104I	1124I	4-way, ivory handle
—	1124W	4-way, white handle

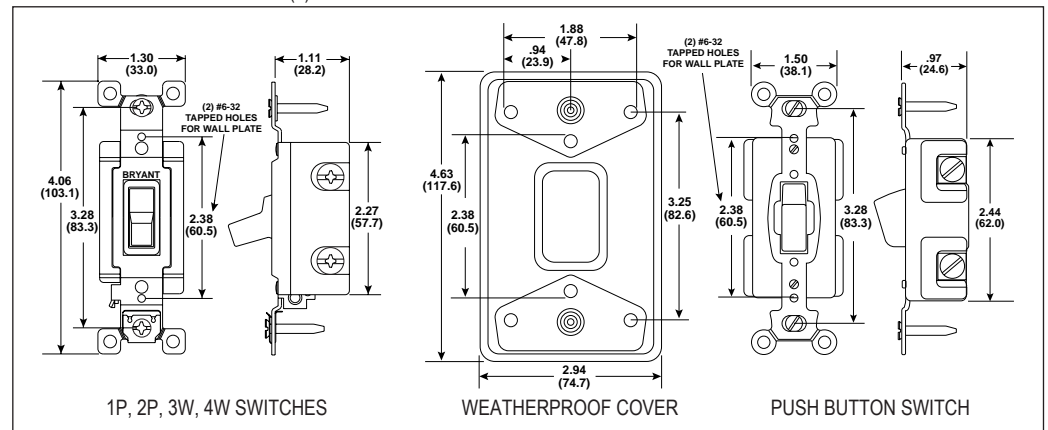
### PUSH BUTTON SWITCHES

CATALOG NUMBER	DESCRIPTION	CATALOG NUMBER	DESCRIPTION
20A 120-277V AC		20A 120-277V AC	
4981	Single-pole, brown	4997PLR	Single-pole, pilot light, red
4982	Two-pole, brown	4998PLR ①	Three-way, pilot light, red
4983 ②	Three-way, brown	4987GLI	Single-pole, glow, ivory
4984 ②	Four-way, brown	4988GLI ②	Three-way, glow, ivory

### WEATHERPROOF COVER ②

CATALOG NUMBER	DESCRIPTION
1795WP ②	Clear silicone rubber cover. Fits both FS/FD and standard boxes

### PRODUCT DIMENSIONS – ( ) Indicates mm dimensions



① Not listed by UL or CSA certified.  
 ② For use with all general purpose AC toggle and push button switches.  
 ③ Not CSA certified.  
 Specifications are subject to change without notice.