

AC Manual Motor Controllers

Without Overload Protection, 60 Amp 600V AC

Features - Specifications

- Silver cadmium oxide contacts
- Copper lug-type terminals
- Arc resistant urea base
- Compact design
- Horsepower rated
- Quick make, slow break mechanism design
- Fully enclosed
- Front or back wiring designs for ease of installation
- Available in single or three phase
- Nylon toggle handle
- UL Listed File #E70402 – Guide #NLRV
- Available with NEMA Type 3R raintight enclosure
- CSA Certified File #LR46186 – Guide #184-N-13.13A
- Complies with UL 508
- NOM
- Listed as manual motor controllers



60002

DOUBLE-POLE

CAT. NO.	AMP RATING	HP RATING	DESCRIPTION
60002	General purpose 60 Amp 600V AC	10 HP 240V AC	Double-pole, single throw, AC manual motor controller without overload protection
60002FW		15 HP 480V AC	Same as 60002 except front wired
60302		20 HP 600V AC	60002 FW in NEMA Type 3R enclosure

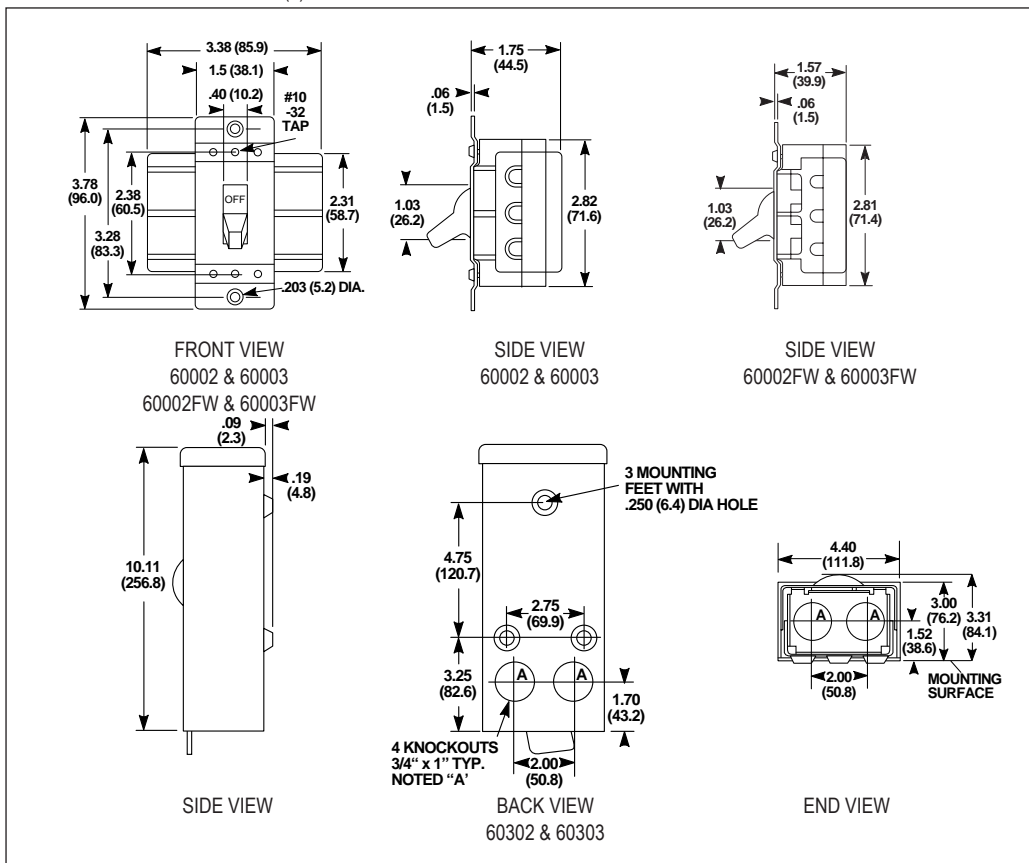
THREE-POLE

CAT. NO.	AMP RATING	HP RATING	DESCRIPTION
60003	General purpose 60 Amp 600V AC	10 HP 240V AC	Three-pole, single throw, AC manual motor controller without overload protection
60003FW		25 HP 480V AC	Same as 60003 except front wired
60303		30 HP 600V AC	60003 FW in NEMA Type 3R enclosure
60300			NEMA Type 3R enclosure without switch



60002FW

PRODUCT DIMENSIONS – () Indicates mm dimensions



Specifications are subject to change without notice.