

Features - Specifications

- Silver cadmium oxide contacts
- Binding screw terminals with combination Robertson/Phillips/slot head
- Back wiring: clamp-type terminals accept up to #10 wire
- Tracking resistant urea base
- Compact design
- Horsepower rated
- Nylon toggle

- Fully enclosed
- Quick make, slow break mechanism design
- Available in single or three phase
- Available NEMA 1, NEMA 3R
- UL Listed File #E70402 – Guide #NLRV
- CSA Certified File #LR46186 – Guide #184-N-13.13A
- Complies with UL 508
- Listed as Manual Motor Controller

- NOM



30003



30002B



30103B



30302B

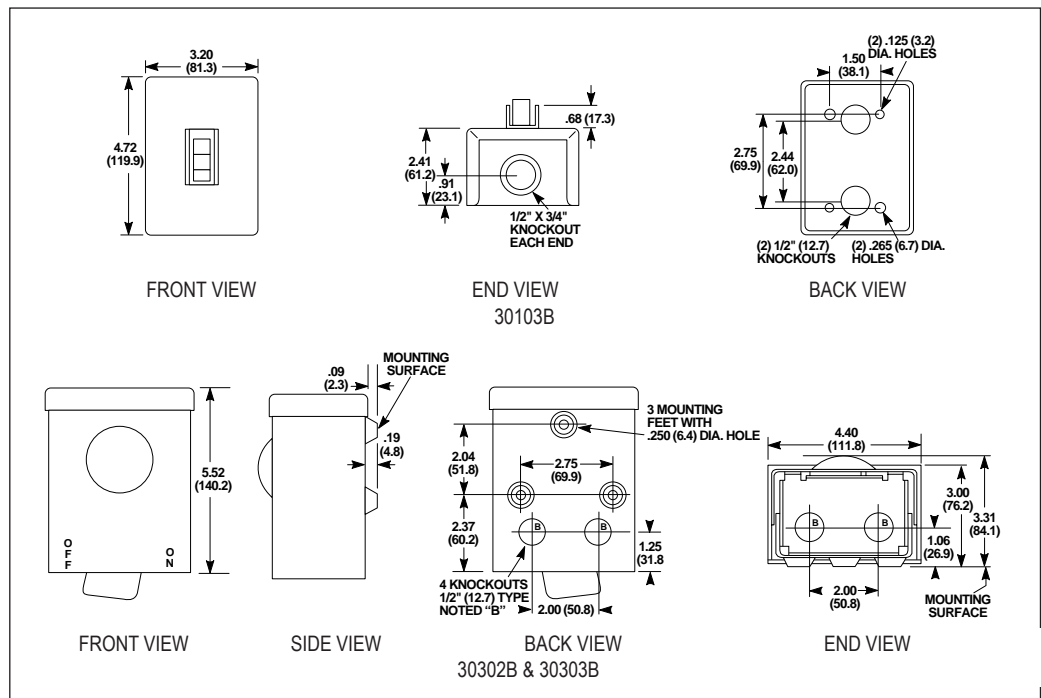
DOUBLE-POLE

CAT. NO.	AMP RATING	HP RATING	DESCRIPTION
30002	General purpose 30 Amp 600V AC	2 HP 120V AC 5 HP 240V AC 10 HP 480V AC 15 HP 600V AC	Double-pole, single throw, AC manual motor controller without overload protection. Side wire only.
30002B		Double-pole, single throw, AC manual motor controller. Terminal for Back & Side Wire	
30102B		30002B in NEMA Type 1 enclosure	
30302B		30002B in NEMA Type 3R enclosure	

THREE-POLE

CAT. NO.	AMP RATING	HP RATING	DESCRIPTION
30003	General purpose 30 Amp 600V AC	3 HP 120V AC 7½ HP 240V AC 15 HP 480V AC 20 HP 600V AC	Three-pole, single throw, AC manual motor controller without overload protection. Side wire only.
30003B			Three-pole, single throw, AC manual motor controller. Terminal for Back & Side Wire
30103B			30003B in NEMA Type 1 enclosure
30303B			30003B in NEMA Type 3R enclosure
30100			NEMA Type 1 enclosure without switch
30300			NEMA Type 3R enclosure without switch

PRODUCT DIMENSIONS – () Indicates mm dimensions



Specifications are subject to change without notice.